



A Textron Company

# RXV GASOLINE SERVICE PARTS MANUAL



# 611106

ISSUED FEBRUARY 2009

REVISED DECEMBER 2012



# **SERVICE PARTS MANUAL**

## **GASOLINE POWERED GOLF CARS & PERSONAL VEHICLES**

**RXV GOLF CAR**

**RXV FREEDOM™**

**RXV SHUTTLE 2 + 2**

**STARTING MID-MODEL YEAR 2009**

*(MANUFACTURED BEGINNING MARCH 16, 2009)*

E-Z-GO Division of TEXTRON Inc. reserves the right to incorporate engineering and design changes to products in this Manual, without obligation to include these changes on units leased/sold previously.

The information contained in this Manual may be revised periodically by the E-Z-GO Division, and therefore is subject to change without notice.

The E-Z-GO Division **DISCLAIMS LIABILITY FOR ERRORS IN THIS MANUAL**, and the E-Z-GO Division **SPECIFICALLY DISCLAIMS LIABILITY FOR INCIDENTAL AND CONSEQUENTIAL DAMAGES** resulting from the use of the information and materials in this Manual.

### **TO CONTACT US**

#### **NORTH AMERICA:**

**TECHNICAL ASSISTANCE & WARRANTY PHONE: 1-800-774-3946, FAX: 1-800-448-8124**

**SERVICE PARTS PHONE: 1-888-GET-EZGO (1-888-438-3946), FAX: 1-800-752-6175**

**INTERNATIONAL: PHONE: 001-706-798-4311, FAX: 001-706-771-4609**

**E-Z-GO DIVISION OF TEXTRON INC., 1451 MARVIN GRIFFIN ROAD, AUGUSTA, GEORGIA USA 30906-3852**

## **GENERAL INFORMATION**

**This vehicle has been designed and manufactured in the United States of America (USA) as a 'World Vehicle'. The Standards and Specifications listed in the following text originate in the USA unless otherwise indicated.**

**The use of non Original Equipment Manufacturer (OEM) approved parts may void the warranty.**

**Tampering with or adjusting the governor to permit vehicle to operate at above factory specifications will void the vehicle warranty.**

**When servicing engines, all adjustments and replacement components must be per original vehicle specifications in order to maintain the United States of America Federal and State emission certification applicable at the time of manufacture.**

### **BATTERY PROLONGED STORAGE**

**All batteries will self discharge over time. The rate of self discharge varies depending on the ambient temperature and the age and condition of the batteries.**

**A fully charged battery will not freeze in winter temperatures unless the temperature falls below -75° F (-60° C).**

# TABLE OF CONTENTS

SECTION	Page No.
<b>HOW TO USE THE SERVICE PARTS MANUAL</b> .....	vii
<b>ACCELERATOR PEDAL ASSEMBLY</b> .....	A-1
• Pedal Cover	
• Accelerator Pedal	
• Accelerator Pedal Switch	
<b>AIR FILTER</b> .....	B-1
• Air Cleaner Element	
• Air Filter Housing	
• Air Cleaner Hose	
<b>BODY - FRONT</b> .....	C-1
• Front Bumper	
• Front Splash Shield	
• Cowl	
• Nameplate	
• Instrument Panel	
• Instrument Panel Trim	
• Cup Holder	
<b>BODY - MID SECTION</b> .....	C-5
• Pedal Cover	
• Floorboard	
• Floormat	
• Rocker Panels	
<b>BODY - REAR</b> .....	C-7
• Rear Body	
• Rear Splash Shields	
• Seat Support	
• Bagwell Liner	
• Access Panel	
<b>BODY - ACCESSORIES</b> .....	C-11
• Sand Bottle	
• Cooler Jug	
• Scuff Guard	
• Soft Swipe	
<b>BODY - ACCESSORIES</b> .....	C-13
• Divot Repair Kit	
• Club & Ball Washer	
• Four Bag Attachment	
<b>BRAKES</b> .....	D-1
• Brake Pedal Pad	
• Brake Pedal	
• Brake Cable	
• Brake Drum Assembly	
<b>CARBURETOR AND CHOKE</b> .....	E-1
• Carburetor	
• Main Jet	
• Choke Cable	
<b>CLUTCH</b> .....	F-1
• Drive Clutch	

# TABLE OF CONTENTS

SECTION	Page No.
• Driven Clutch	
<b>DIRECTION SELECTOR</b> .....	<b>G-1</b>
• Push/Pull Shifter Cable	
• Compression Spring	
• Neutral Lock Bracket	
<b>ELECTRICAL SYSTEM</b> .....	<b>H-1</b>
• Main Harness	
• Battery	
• Hour Meter	
• Ground Cable	
• Turn Signal	
• Headlight	
• Key Switch	
• Tail Lights	
<b>ENGINE AND MUFFLER</b> .....	<b>J-1</b>
• Engine	
• Muffler	
• Oil Dip Stick	
• Oil Filter	
<b>ENGINE MOUNTING</b> .....	<b>K-5</b>
• Engine Pan Mount	
• Front Engine Mount	
<b>FRONT SUSPENSION AND STEERING</b> .....	<b>L-1</b>
• Strut	
• Spindle	
• A-Arm	
• Steering Box	
• Steering Column	
• Steering Wheel	
<b>FUEL SYSTEM</b> .....	<b>M-1</b>
• Fuel Tank	
• Pulse Line	
<b>REAR AXLE</b> .....	<b>N-1</b>
• Axle Shaft	
• Axle Tube	
• Oil Check Plug	
<b>REAR SUSPENSION</b> .....	<b>P-1</b>
• Shocks	
• Leaf Spring	
• Shackles	
<b>SEATING - GOLF CAR</b> .....	<b>Q-1</b>
• Seat Bottom	
• Seat Back	
• Hip Restraints	
• Seat Back Support	
<b>SEATING - SHUTTLE 2+2</b> .....	<b>Q-4</b>
• Seat Bottom, Rear Facing Seat	
• Seat Back, Rear Facing Seat	

# TABLE OF CONTENTS

<b>SECTION</b>	<b>Page No.</b>
• Floorboard, Rear Facing Seat • Arm Rest, Rear Facing Seat • Seat Belt	
<b>STARTER / GENERATOR</b> .....	<b>R-1</b>
• Starter • Starter Belt • Starter Tensioner	
<b>TOW BAR</b> .....	<b>S-1</b>
<b>WEATHER PROTECTION - GOLF CAR</b> .....	<b>T-1</b>
• Sun Top	
<b>WEATHER PROTECTION - SHUTTLE 2+2</b> .....	<b>T-3</b>
• Sun Top	
<b>WEATHER PROTECTION - WINDHIELD</b> .....	<b>T-5</b>
<b>WHEELS AND TIRES</b> .....	<b>U-1</b>
• Tire & Wheel Assembly • Lug Nuts • Dust Cap	
<b>FRAMES</b> .....	<b>V-1</b>
• Frames • Seat Frames	

# TABLE OF CONTENTS

**SECTION**

**Page No.**



# HOW TO USE THE SERVICE PARTS MANUAL

This manual is divided into several sections:

## GENERAL INFORMATION

- TABLE OF CONTENTS
- HOW TO USE THE SERVICE PARTS MANUAL

## ILLUSTRATED PARTS BREAKDOWN

- Contains illustrations and parts lists for all systems of the vehicle.

## USE OF THE MANUAL

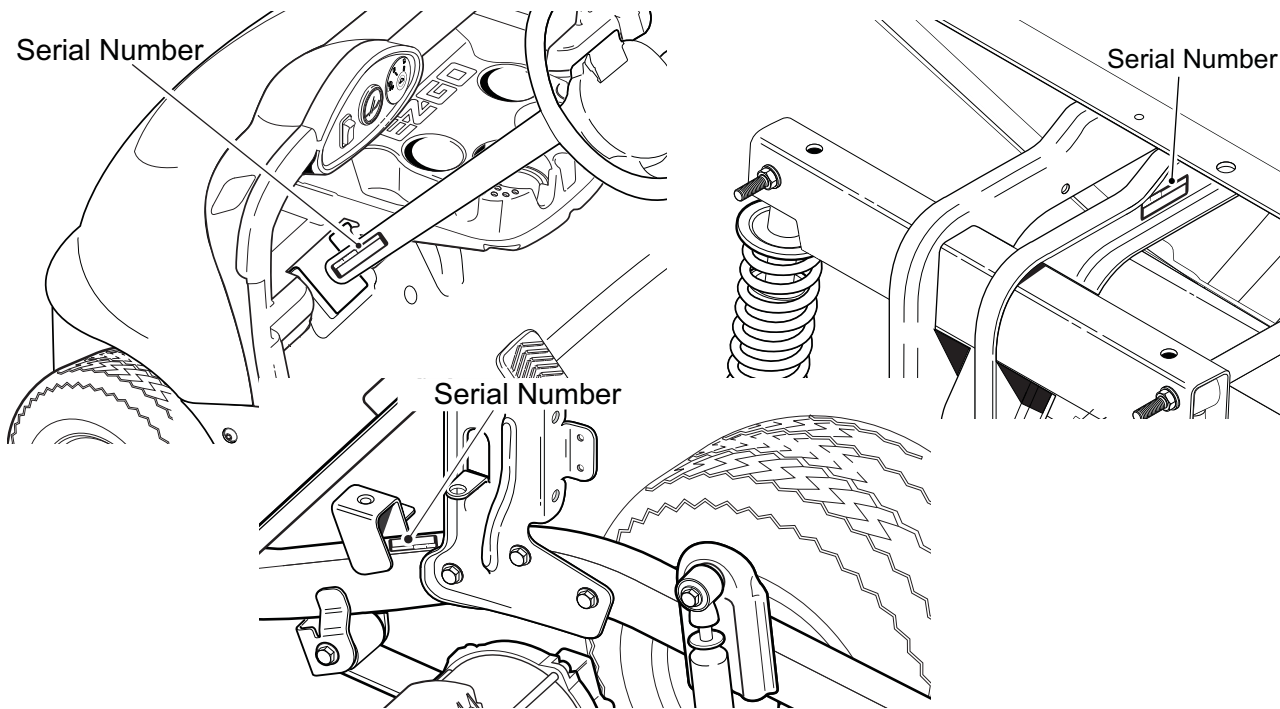
To use this manual, consult the TABLE OF CONTENTS (page iii) to locate the information or illustration required.

Introduction of some revisions varies due to supply of components; therefore, it is possible that various combinations of components may be found that are not directly reflected by each illustration. Consult the illustration that best suits your situation. Locate the serial number. It is important that the serial number of your vehicle and its model number be supplied to Service Parts when ordering any replacement components.

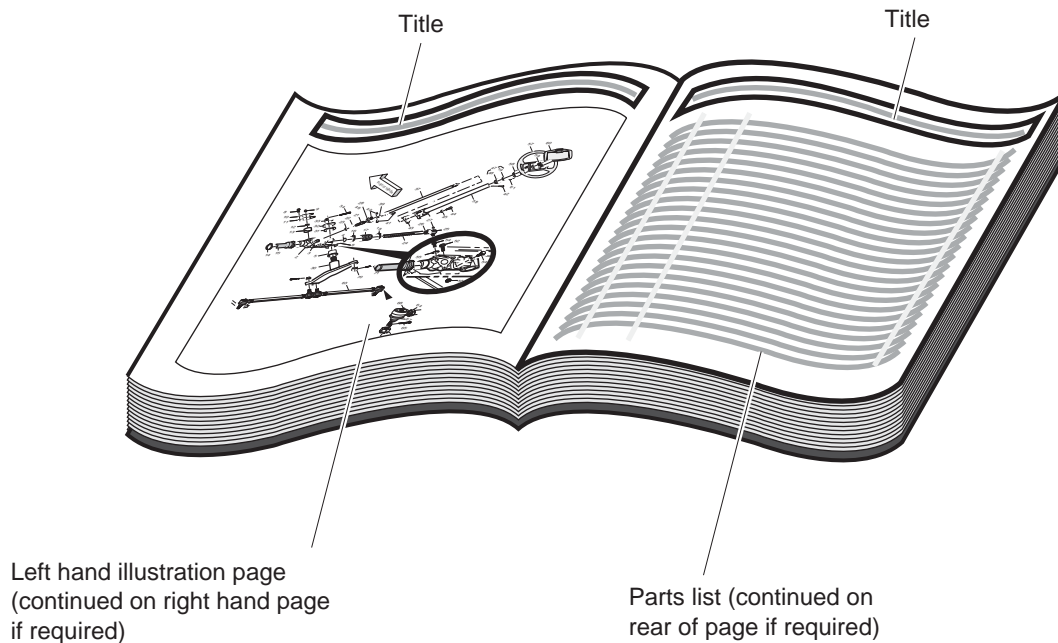
## SERIAL NUMBER LOCATION

Three serial number and manufacture date code labels are on the vehicle. One is placed on the steering column, the second is located on the frame member under the front splash shield on the driver side and the third is located on the passenger side frame rail at the rear of the vehicle.

In order to obtain correct components for the vehicle, the manufacture date code, serial number and vehicle model must be provided when ordering service parts.



# HOW TO USE THE SERVICE PARTS MANUAL



## 1. WHEN THE PART NUMBER IS NOT KNOWN

- Determine the function and application of the part required. Turn to the TABLE OF CONTENTS and select the most appropriate component description.
- Turn to the page number indicated and locate the part description in the parts list. Read the full accompanying description for specific information regarding the part that was not shown in the index.
- From the parts list, obtain the item number assigned to it and confirm that the part selected is correct by verifying it with the pictorial representation on the illustrated page.

Should an asterisk (\*) appear in the part number column on the parts list page, read upwards until a part number is found. The part number is the lowest assembly sold by Service Parts. The asterisk (\*) indicates that the part depicted is not available for purchase.

NOTE: Descriptions are indented under the assembly that they are used on. That assembly is, in turn listed under the assembly that it is used on. This process is repeated until the highest final assembly is reached.

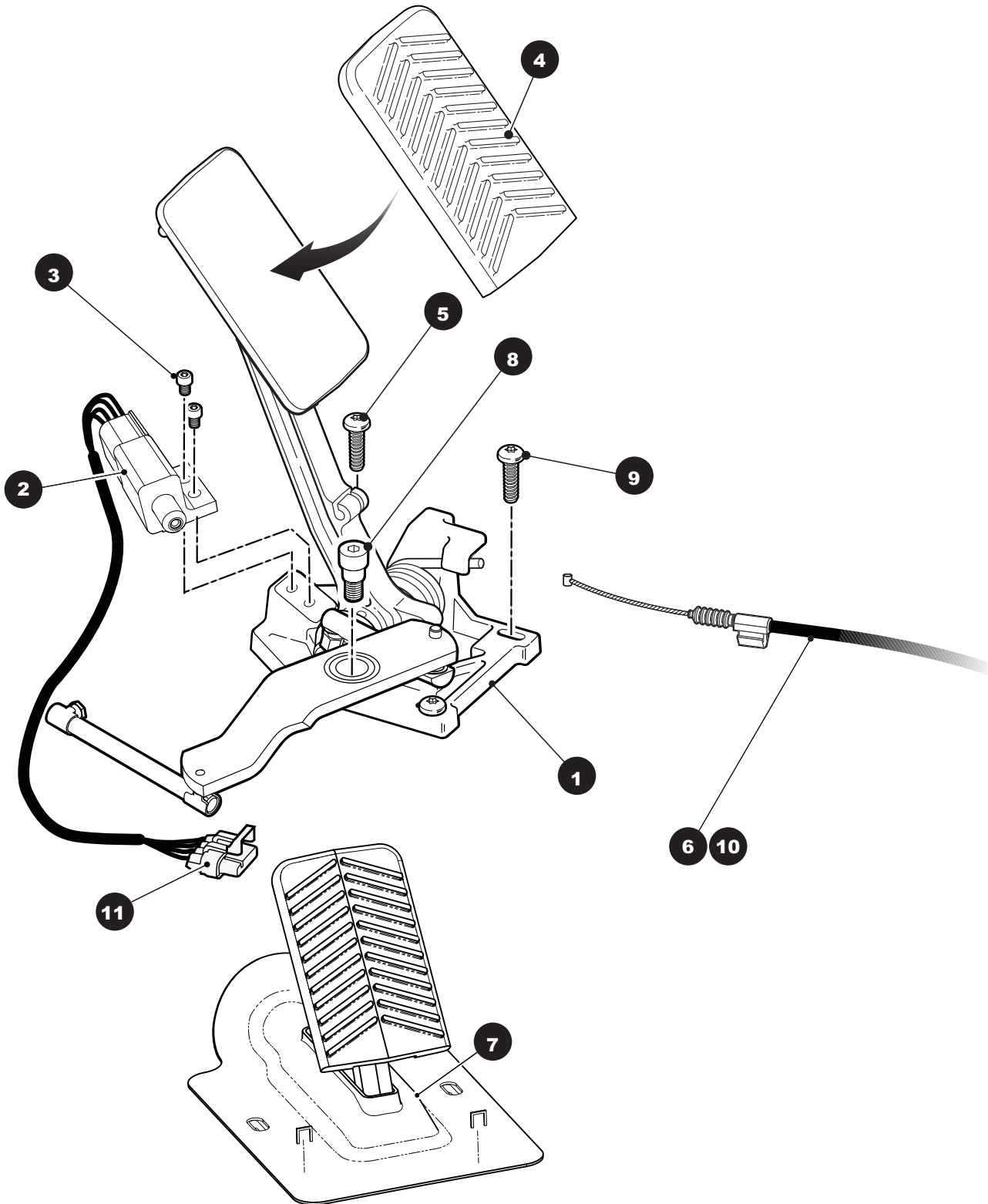
**To facilitate the maintenance and repair of the vehicle, a Technician's Repair and Service Manual is available from the Service Parts Department.**

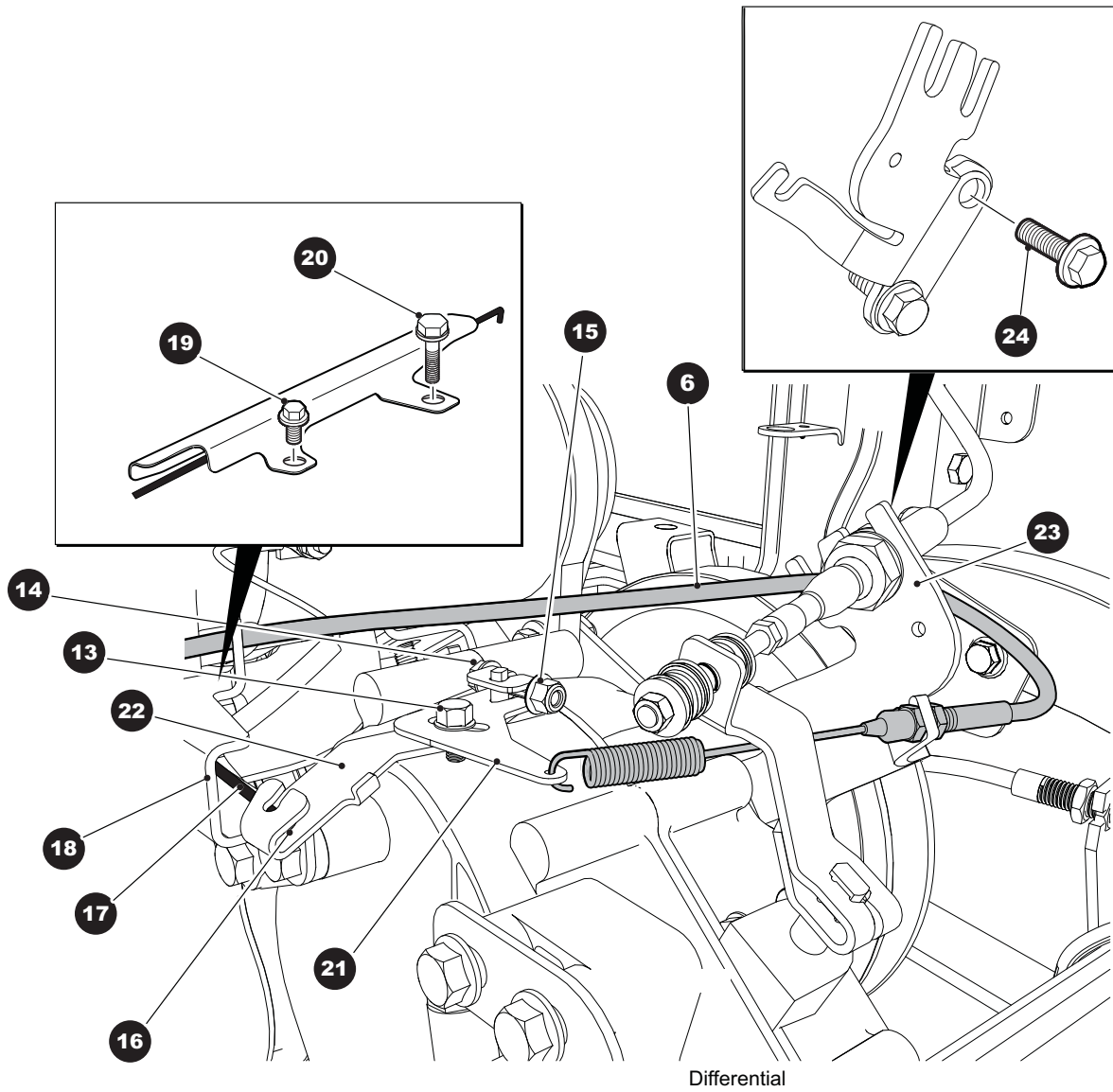
# ILLUSTRATED PARTS BREAKDOWN

# ILLUSTRATED PARTS BREAKDOWN

# ACCELERATOR

1 Accelerator Pedal Assembly includes items 2 - 4





# ACCELERATOR

When ordering parts, please specify the model and serial number of the product.

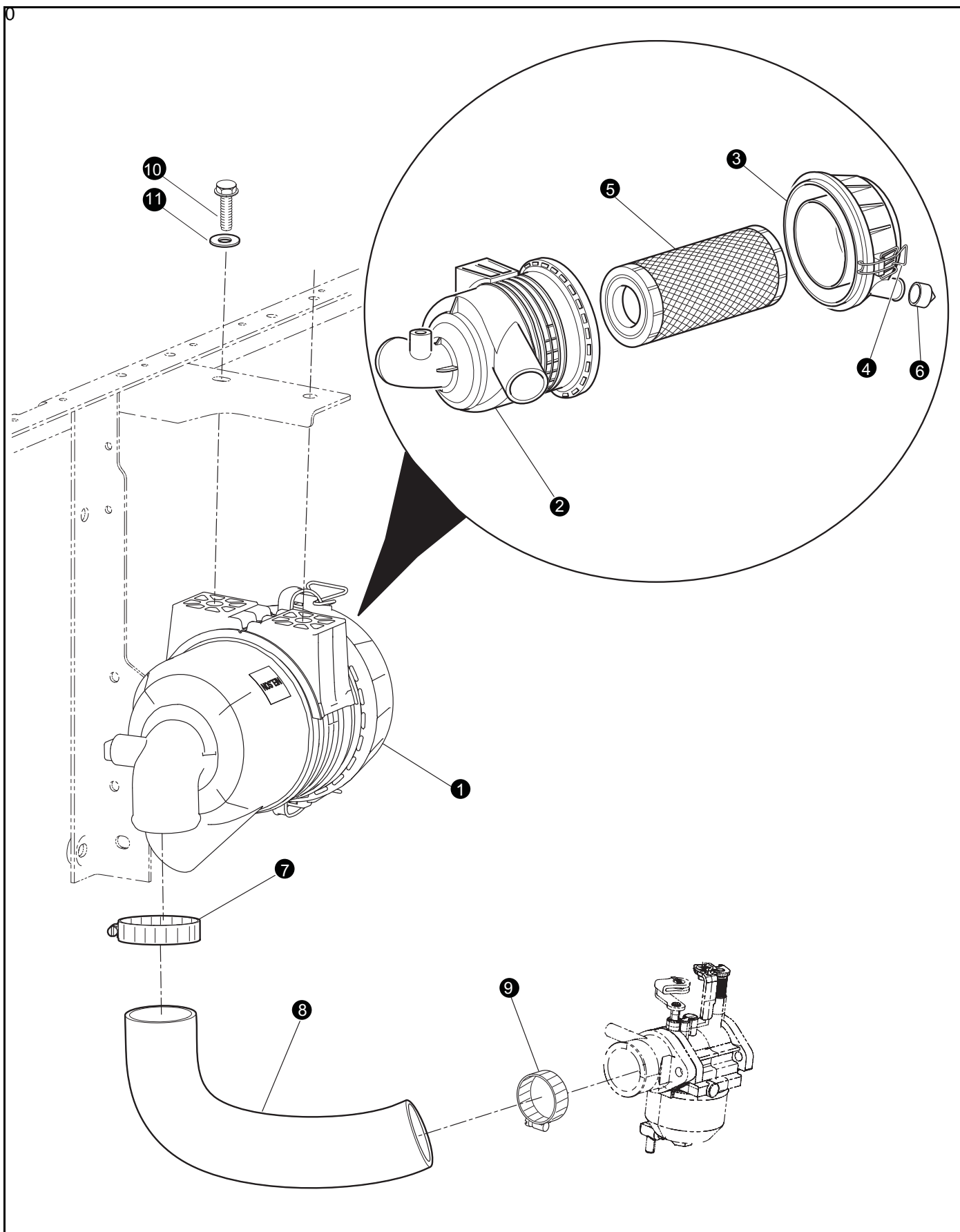
\* Indicates a component that is not available as an individual part.

\*\*\* Indicates consult Customer Service Department for additional information.

ITEM	PART NO.	1 2 3 4 5	DESCRIPTION	QTY.
1	613269		ACCELERATOR PEDAL ASSEMBLY (includes items 2 - 3) .....	1
2	612889		ACCELERATOR PEDAL MOLEX SWITCH .....	1
3	620030		SOCKET HEAD SCREW, M5 X 0.8.....	2
4	610529		ACCELERATOR PEDAL COVER.....	1
5	608290		BOLT, .....	2
6	609850		ACCELERATOR CABLE, 23.8 LBS - IN.....	1
7	614393		ACCELERATOR PEDAL BOOT .....	1
8	604536		BOLT, M8 - 1.25 X 20 .....	1
9	606277		BOSS BOLT, M6 .....	3
10	609849		ACCELERATOR CABLE, 16 LBS - IN.....	1
11	615747		JUMPER HARNESS, ACCELERATOR PEDAL SWITCH.....	1
12				
13	606265		BOLT, M6 - 1 X 12 .....	1
14	606421		BOLT, M6 - 1 X 30 .....	1
15	450452		NUT, M6 - 1.0 .....	1
16	606283		GOVERNOR LEVER BUSHING .....	1
17	606284		GOVERNOR ROD.....	1
18	603890		GOVERNOR ROD GUARD.....	1
19	606264		BOLT, M6 - 1 X 20 .....	1
20	606262		BOLT, M8 - 1.25 X 16 .....	1
21	606083		UPPER GOVERNOR BRACKET .....	1
22	606005		LOWER GOVERNOR BRACKET .....	1
23	606074		GOVERNOR CABLE/DIRECTION SELECTOR BRACKET.....	1
24	606256		BOLT, M10 - 1.25 X 16 .....	2



# AIR FILTER CARB





# AIR FILTER CARB

When ordering parts, please specify the model and serial number of the product.

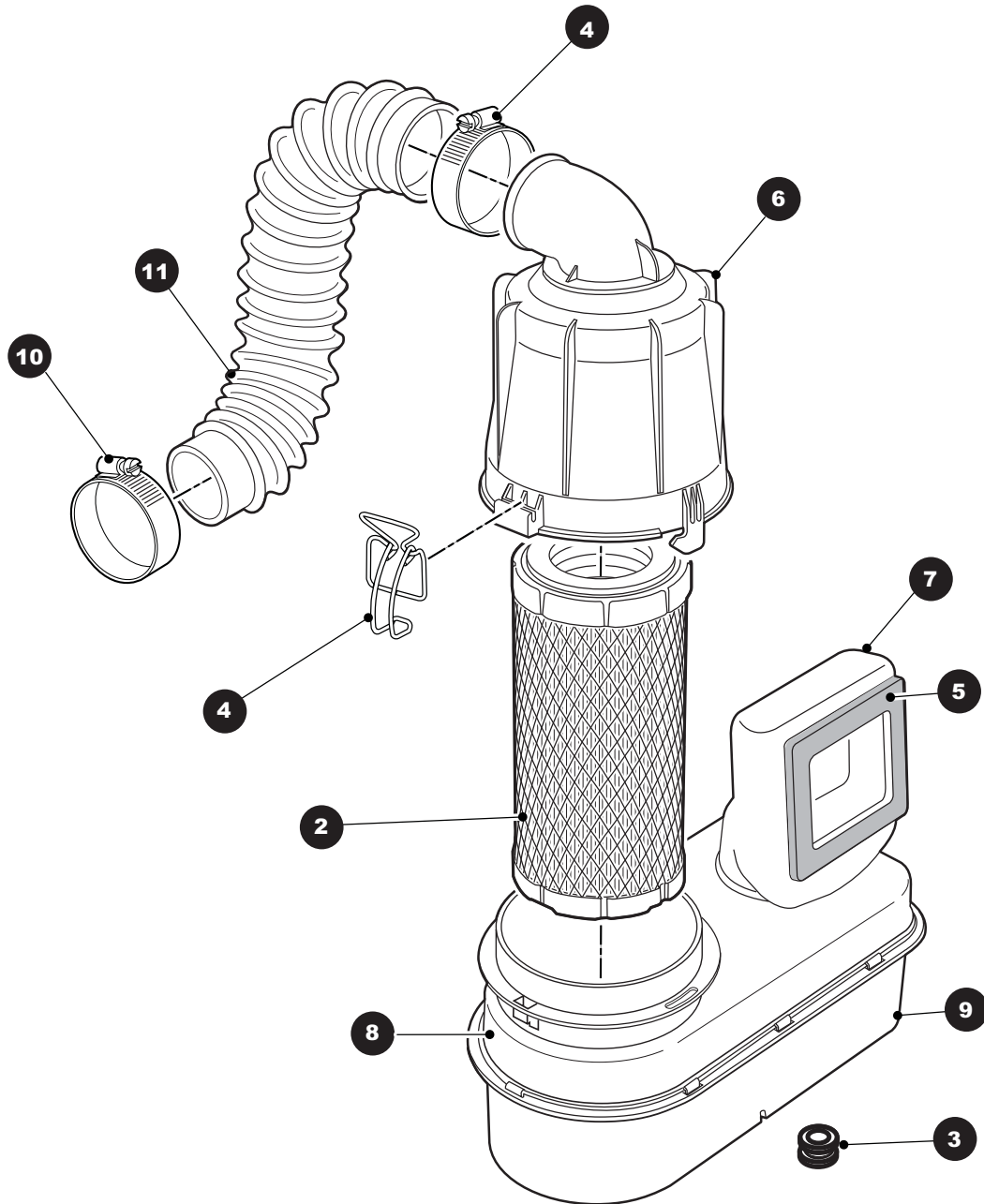
\* Indicates a component that is not available as an individual part.

\*\*\* Indicates consult Customer Service Department for additional information.

ITEM	PART NO.	1 2 3 4 5	DESCRIPTION	QTY.
1	606952		AIR CLEANER (INCLUDES ITEMS 2 - 6) .....	1
2	607269		BODY & BRACKET ASSEMBLY .....	1
3	72599G01		AIR CLEANER COVER .....	1
4	72604G01		AIR CLEANER CLIP .....	2
5	28463G01		AIR FILTER .....	1
6	28462G01		VALVE DUST EJECTOR .....	1
7	11391G7		HOSE CLAMP .....	1
8	601910		HOSE .....	1
9	11391G7		HOSE CLAMP .....	1
10	606261		BOLT M8 X 1.25 X 20 .....	2
11	606272		WASHER .....	2

# AIR FILTER

**1** - Includes items 2 - 9



When ordering parts, please specify the model and serial number of the product.

\* Indicates a component that is not available as an individual part.

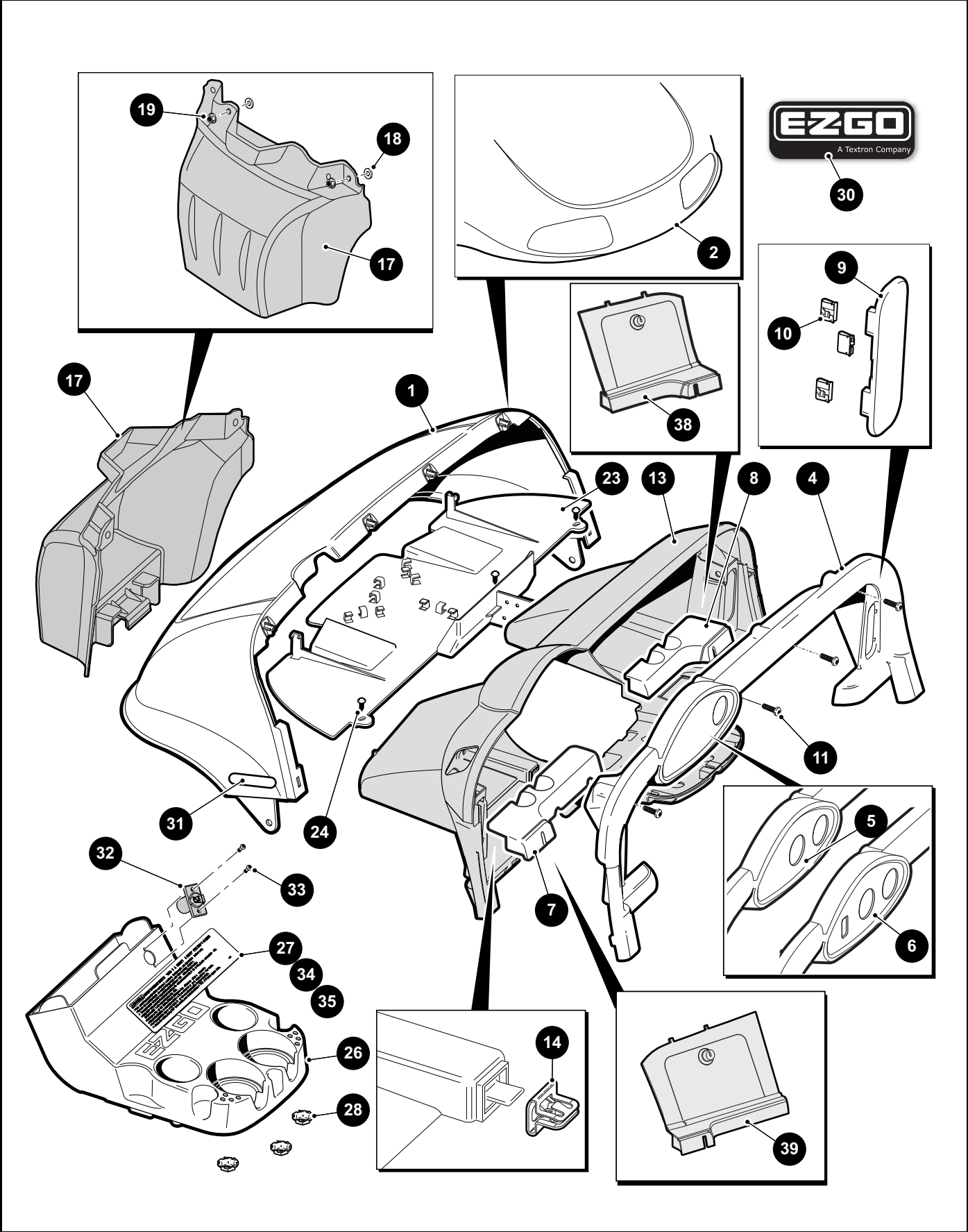
\*\*\* Indicates consult Customer Service Department for additional information.

ITEM	PART NO.	1 2 3 4 5	DESCRIPTION	QTY.
1	601729		AIR CLEANER ASSEMBLY .....	1
2	28463G01		AIR CLEANER ELEMENT.....	1
3	603752		AIR CLEANER BASE GROMMET .....	3
4	603750		AIR FILTER LATCH.....	1
5	603749		INTAKE TUBE GASKET.....	1
6	601728		AIR FILTER HOUSING.....	1
7	601727		AIR FILTER INTAKE TUBE .....	1
8	601726		AIR FILTER COVER.....	1
9	601725		AIR FILTER BASE .....	1
10	11391G7		HOSE CLAMP.....	2
11	601910		AIR CLEANER HOSE .....	1





# BODY



When ordering parts, please specify the model and serial number of the product.

\* Indicates a component that is not available as an individual part.

\*\*\* Indicates consult Customer Service Department for additional information.

ITEM	PART NO.	1 2 3 4 5	DESCRIPTION	QTY.
1	6XXXXX***		FRONT COWL, WITHOUT HEADLIGH OPENING (see colors below)..... 606953 .... IVORY 606954 .... FORREST GREEN 606955 .... PATRIOT BLUE 606956 .... BLACK 606957 .... MOLTEN RED 606958 .... BRIGHT WHITE 606959 .... FLAME RED 606960 .... STEEL BLUE 608476 .... PLATINUM 608477 .... ALMOND 608493 .... ELECTRIC BLUE 608494 .... INFERNO RED 617580 .... SUNBURST ORANGE 617578 .... BRITISH RACING GREEN	1
2	6XXXXX***		FRONT COWL, WITH HEADLIGHT OPENING (see colors below) ..... 620227 .... IVORY 620228 .... FORREST GREEN 620229 .... PATRIOT BLUE 620230 .... BLACK 620231 .... MOLTEN RED 620232 .... BRIGHT WHITE 620233 .... FLAME RED 620234 .... STEEL BLUE 608478 .... PLATINUM 608479 .... ALMOND 608516 .... ELECTRIC BLUE 608517 .... INFERNO RED 617581 .... SUNBURST ORANGE 617579 .... BRITISH RACING GREEN	1
3				
4	600242		INSTRUMENT PANEL TRIM, OPENING FOR KEY SWITCH ONLY .....	1
5	608808		INSTRUMENT PANEL TRIM, OPENING FOR KEY SWITCH & SOC .....	1
6	608864		INSTRUMENT PANEL TRIM, OPENING FOR KEY SW, SOC & LIGHT SW.	1
7	600243		BALL HOLDER INSERT, DRIVER SIDE.....	1
8	600241		BALL HOLDER INSERT, PASSENGER SIDE .....	1

# BODY

When ordering parts, please specify the model and serial number of the product.

\* Indicates a component that is not available as an individual part.

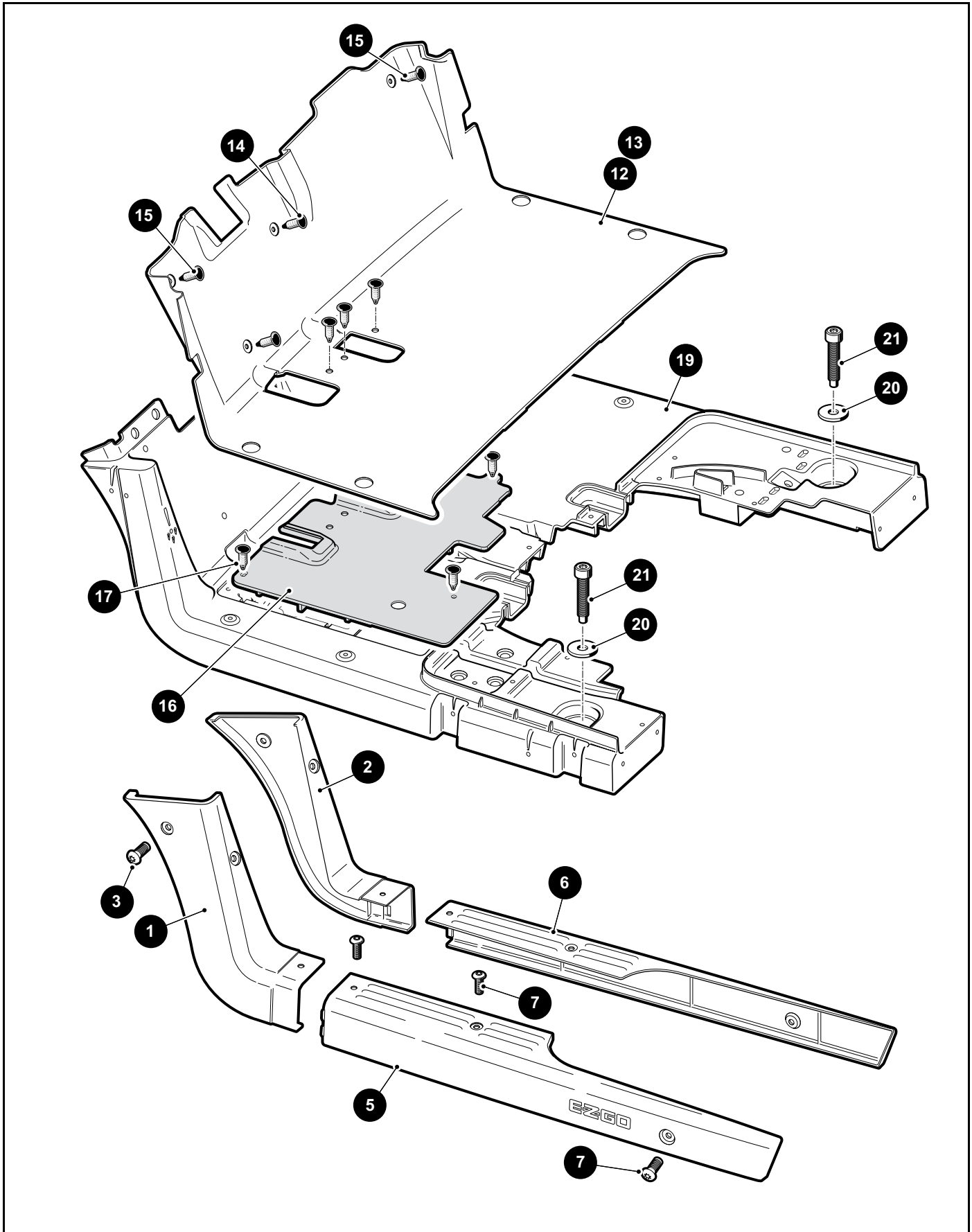
\*\*\* Indicates consult Customer Service Department for additional information.

ITEM	PART NO.	1 2 3 4 5	DESCRIPTION	QTY.
9	602388		ACCESS COVER ASSEMBLY (includes item 10) .....	1
10	602100		U-CLIP .....	3
11				
12				
13	602387		INSTRUMENT PANEL (includes item 14) .....	1
14	602184		SPRING CLIP .....	4
15				
16				
17	605935		FRONT BUMPER .....	1
18	604066		FLAT WASHER, M10 (O.D. 30, I.D. 10.5, THK. 1.75).....	1
19	600525		FLANGED HEX NUT WITH PLASTIC INSERT, M10-1.5.....	1
20				
21				
22				
23	601634		FRONT SPLASH GUARD .....	1
24	16816G2		CHRISTMAS TREE RIVET (.25 x .88).....	3
25				
26	602101		CUPHOLDER ASSEMBLY (includes item 27) .....	1
27	608522		WARNING AND INSTRUCTION DECAL.....	1
28	71597G01		SELF THREADING NUT .....	3
29				
30	606405		E - Z - GO NAMEPLATE .....	1
31	608991		YELLOW REFLECTOR, FRONT .....	2
32	71078G01		12V OUTLET .....	1
33	600543		BUTTON HEAD TORX BOLT, M4 - 0.75 X 12.....	2
34	608528		WARNING AND INSTRUCTION DECAL (Freedom vehicles) .....	1
35	608701		WARNING AND INSTRUCTION DECAL, PICTOGRAMS (CE vehicles).....	1
36				
37				
38	607131		GLOVE BOX, PASSENGER SIDE .....	1
39	607533		GLOVE BOX, DRIVER SIDE.....	1





# BODY



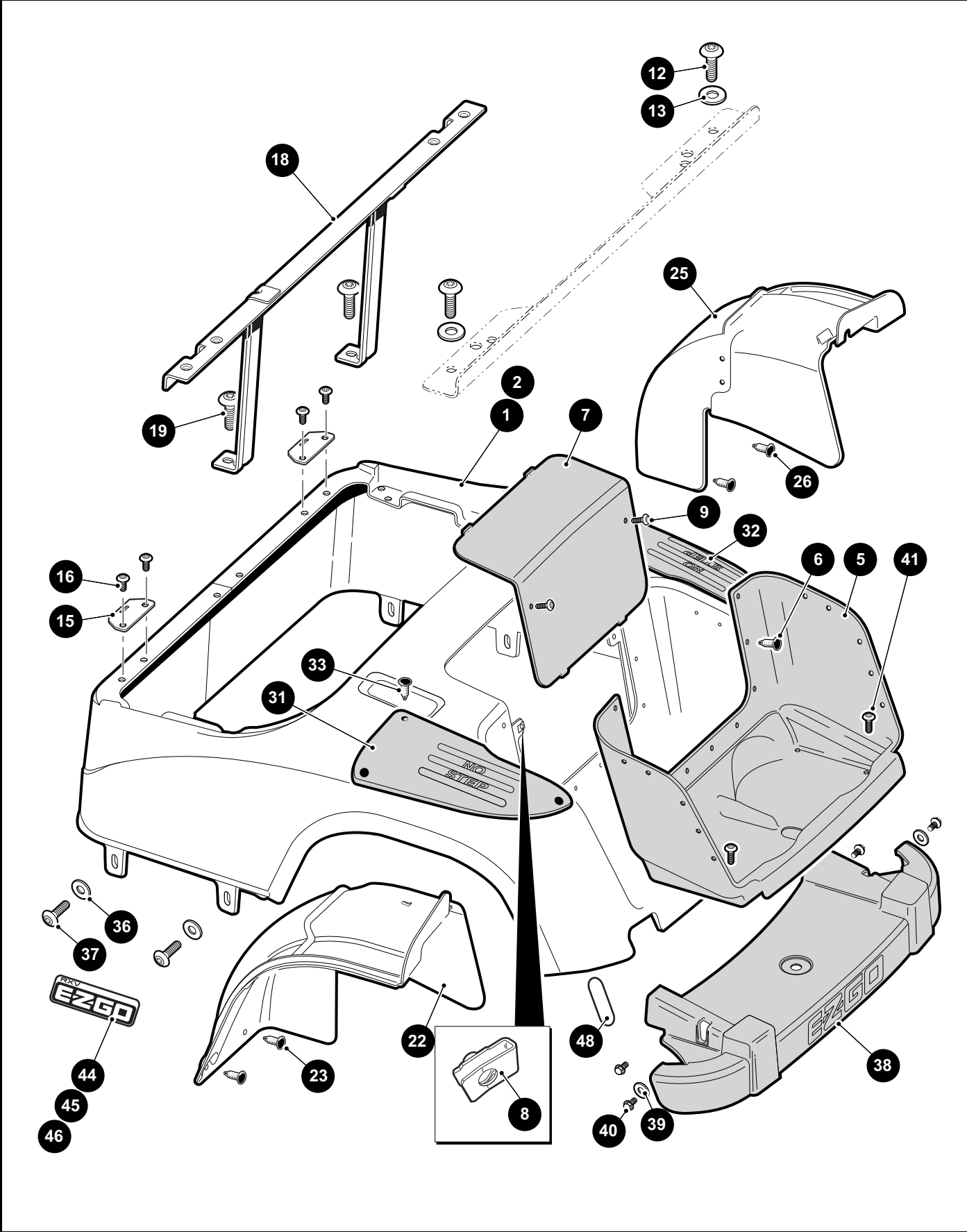
When ordering parts, please specify the model and serial number of the product.

\* Indicates a component that is not available as an individual part.

\*\*\* Indicates consult Customer Service Department for additional information.

ITEM	PART NO.	1 2 3 4 5	DESCRIPTION	QTY.
1	601257		UPPER ROCKER PANEL, DRIVER SIDE .....	1
2	601258		UPPER ROCKER PANEL, PASSENGER SIDE .....	1
3	605957		BUTTON HEAD TORX SCREW, THREAD FORMING, M8.....	2
4				
5	600253		LOWER ROCKER PANEL, DRIVER SIDE .....	1
6	600257		LOWER ROCKER PANEL, PASSENGER SIDE .....	1
7	605957		BUTTON HEAD TORX SCREW, THREAD FORMING, M8.....	3
8				
9				
10				
11				
12	601118		FLOORMAT WITHOUT HOLE FOR HORN.....	1
13	603707		FLOORMAT WITH HOLE FOR HORN .....	1
14	16816G2		CHRISTMAS TREE RIVET (.25 X .88).....	5
15	16816G1		CHRISTMAS TREE RIVET (.25 X .68).....	2
16	605277		PEDAL COVER PLATE .....	1
17	16816G2		CHRISTMAS TREE RIVET (.25 X .88).....	4
18				
19	603798		FLOOR BOARD.....	1
20	604066		FLAT WASHER, M10 (O.D. 30, I.D. 10.5, THK. 1.75) .....	2
21	602020		TORX SOCKET HEAD CAP SCREW, M10 - 1.5 X 50 .....	2

# BODY



When ordering parts, please specify the model and serial number of the product.

\* Indicates a component that is not available as an individual part.

\*\*\* Indicates consult Customer Service Department for additional information.

ITEM	PART NO.	1 2 3 4 5	DESCRIPTION	QTY.
1	6XXXXX		REAR BODY ASSEMBLY WITHOUT LIGHT OPENINGS (includes items 5-9) (see colors below) .....	1
			614976 .... IVORY	
			614979 .... FORREST GREEN	
			614980 .... PATRIOT BLUE	
			614981 .... BLACK	
			614982 .... MOLTEN RED	
			614983 .... BRIGHT WHITE	
			614984 .... FLAME RED	
			614985 .... STEEL BLUE	
			614989 .... PLATINUM	
			614988 .... ALMOND	
			614987 .... ELECTRIC BLUE	
			614986 .... INFERNO RED	
			617590 .... SUN BURST ORANGE	
			617592 .... BRITISH RACING GREEN	
2	6XXXXX		REAR BODY ASSEMBLY WITH LIGHT OPENINGS (includes items 5-9) (see colors below) .....	1
			615014 .... IVORY	
			615015 .... FORREST GREEN	
			615016 .... PATRIOT BLUE	
			615017 .... BLACK	
			615018 .... MOLTEN RED	
			615019 .... BRIGHT WHITE	
			615020 .... FLAME RED	
			615021 .... STEEL BLUE	
			615025 .... PLATINUM	
			615024 .... ALMOND	
			615023 .... ELECTRIC BLUE	
			615022 .... INFERNO RED	
			617594 .... SUN BURST ORANG	
			617596 .... BRITISH RACING GREEN	
3				
4				
5	601679		BAGWELL LINER INSERT.....	1
6	16816G2		CHRISTMAS TREE RIVET (.25 X .88) .....	20

# BODY

When ordering parts, please specify the model and serial number of the product.

\* Indicates a component that is not available as an individual part.

\*\*\* Indicates consult Customer Service Department for additional information.

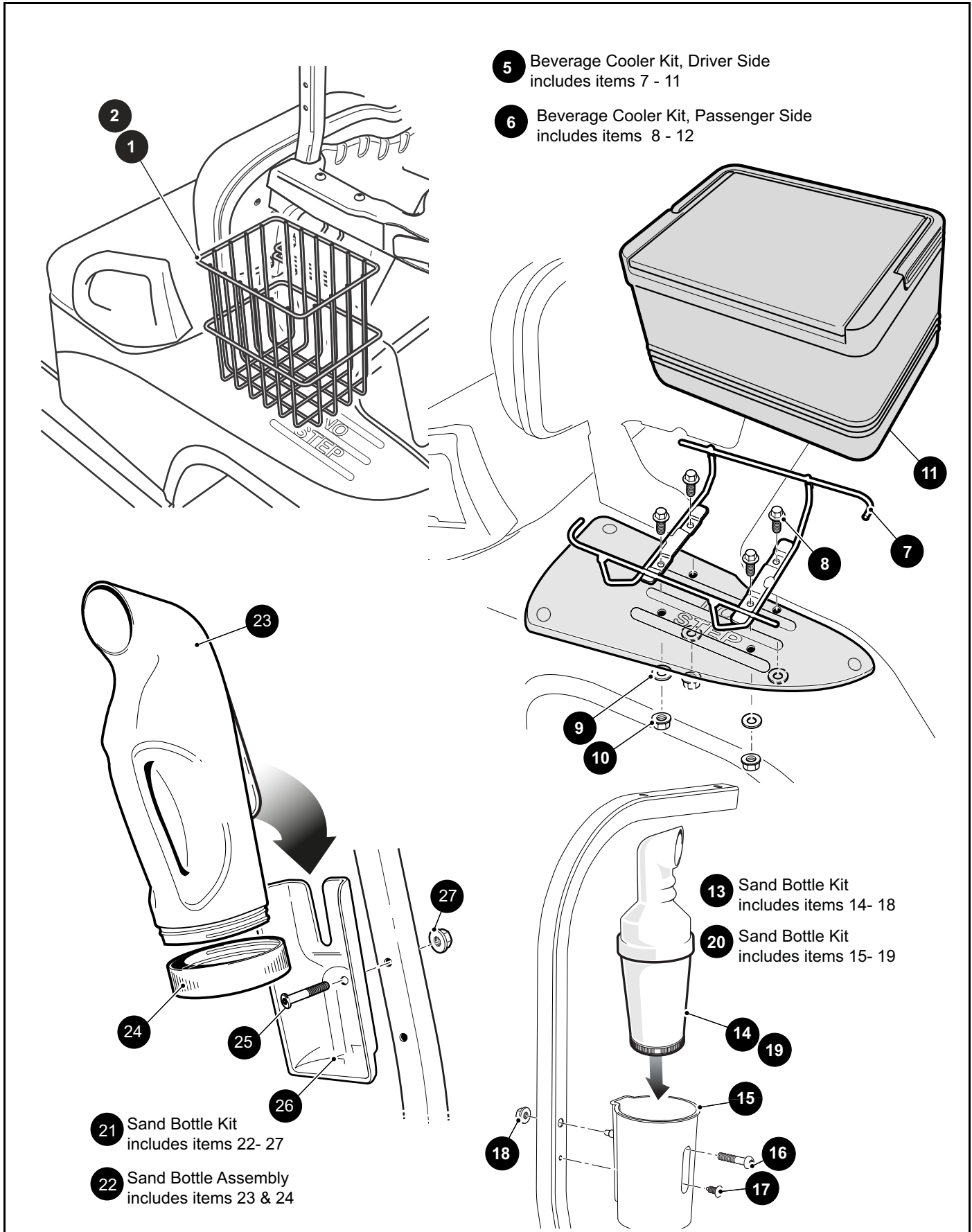
ITEM	PART NO.	1 2 3 4 5	DESCRIPTION	QTY.
7	600249		REAR BODY ACCESS PANEL.....	1
8	602409		BARREL CLIP, M6-1 .....	2
9	601326		BUTTON HEAD TORX BOLT, M6 - 1 X 20 .....	2
10				
11				
12	602572		PAN HEAD TORX BOLT, M10 - 1.5 X 25 .....	2
13	604066		FLAT WASHER, M10 (O.D. 30, I.D. 10.5, THK. 1.75).....	2
14				
15	602558		SEAT HINGE PLATE .....	1
16	602572		PAN HEAD TORX BOLT, M10 - 1.5 X 25 .....	2
17				
18	601921		FRONT SEAT SUPPORT ASSEMBLY.....	1
19	602572		PAN HEAD TORX BOLT, M10 - 1.5 X 25 .....	2
20				
21				
22	601621		REAR SPLASH GUARD, DRIVER SIDE .....	1
23	16816G2		CHRISTMAS TREE RIVET (.25 X .88) .....	4
24				
25	601622		REAR SPLASH GUARD, PASSENGER SIDE .....	1
26	16816G2		CHRISTMAS TREE RIVET (.25 X .88) .....	4
27				
28				
29				
30				
31	601865		SCUFF GUARD, DRIVER SIDE.....	1
32	601864		SCUFF GUARD, PASSENGER SIDE .....	1
33	16816G2		CHRISTMAS TREE RIVET (.25 X .88) .....	6
34				
35				
36	604066		FLAT WASHER, (O.D. 30, I.D. 10.5, THK. 1.75).....	4
37	605957		BUTTON HEAD TORX SCREW, THREAD FORMING, M8 .....	4

When ordering parts, please specify the model and serial number of the product.

\* Indicates a component that is not available as an individual part.

\*\*\* Indicates consult Customer Service Department for additional information.

ITEM	PART NO.	1 2 3 4 5	DESCRIPTION	QTY.
38	603819		REAR BUMPER.....	1
39	604266		FLAT WASHER, M10 (O.D. 30, I.D. 10.5, THK. 1.75) .....	2
40	603799		HEX HEAD FLANGED BOLT, M10 - 1.5 X 25 .....	4
41	608313		BUTTON HEAD TORX BOLT, M10 - 1.5 X 25 .....	2
42				
43				
44	607859		RXV DECAL.....	2
45	610521		E - Z - GO FREEDOM DECAL.....	2
46	607863		E - Z - GO 2 + 2 SHUTTLE DECAL .....	2
47				
48	608993		RED SIDE REFLECTOR, DRIVER SIDE .....	1
49	608996		RED SIDE REFLECTOR, PASSENGER SIDE .....	1
50				
51				
52	608992		RED REAR REFLECTOR, DRIVER SIDE.....	1
53	608998		RED REAR REFLECTOR, PASSENGER SIDE .....	1



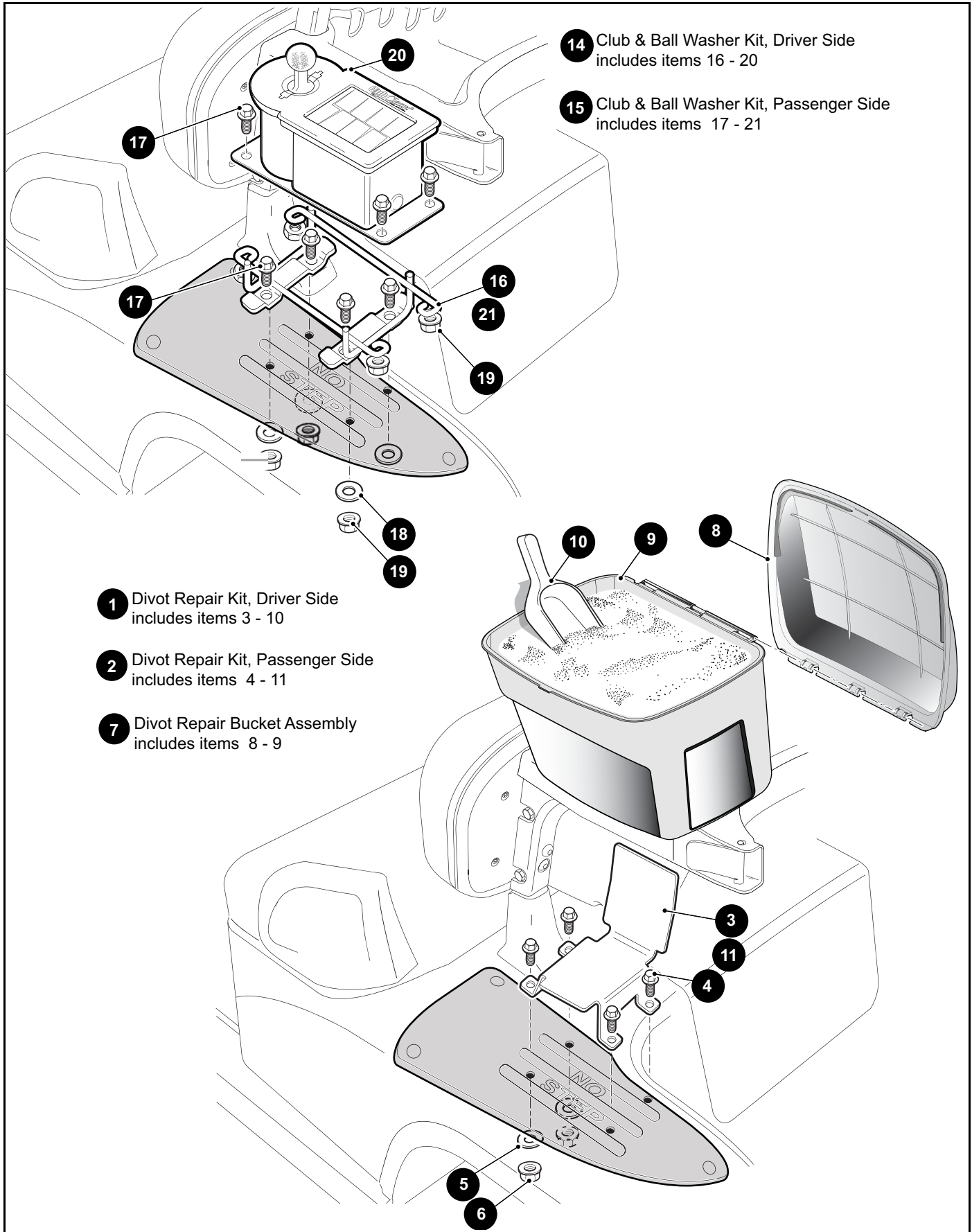


When ordering parts, please specify the model and serial number of the product.

\* Indicates a component that is not available as an individual part.

\*\*\* Indicates consult Customer Service Department for additional information.

ITEM	PART NO.	1 2 3 4 5	DESCRIPTION	QTY.
1	603846		SIDE BASKET, DRIVER SIDE (use existing hardware).....	1
2	603702		SIDE BASKET, PASSENGER SIDE (use existing hardware) .....	1
3				
4				
5	603733		BEVERAGE COOLER KIT, DRIVER SIDE (includes items 7 - 11 .....	1
6	604215		BEVERAGE COOLER KIT, PASSENGER SIDE (includes items 8 - 12) .....	1
7	603706		MOUNTING BRACKET, DRIVER SIDE .....	1
8	606256		FLANGED HEX HEAD BOLT, M10 - 1.5 X 34 .....	4
9	608520		POLYPROPYLENE WASHER.....	4
10	606274		FLANGED HEX NUT, M10 - 1.25 .....	4
11	601366		BEVERAGE COOLER.....	1
12	603777		MOUNTING BRACKET, PASSENGER SIDE (not shown in illustration) ..	1
13	614179		SAND BOTTLE KIT (includes items 14 - 18) .....	1
14	600612		SAND BOTTLE ASSEMBLY.....	1
15	28660G01		SAND BOTTLE ASSEMBLY HOLDER.....	1
16	603800		FLANGE HEAD BOLT, M10 - 1.5 X 50.....	1
17	16816G2		RATCHET RIVET, 0.25 X 0.887 .....	1
18	600525		LOCK NUT, M10 - 1.5.....	1
19	28459G01		SAND BOTTLE.....	1
20	614195		SAND BOTTLE KIT (includes items 15 - 19 ) .....	1
21	614390		SAND BOTTLE KIT (includes items 22 - 27) .....	1
22	607102		SAND BOTTLE ASSEMBLY (includes items 23 & 24) .....	1
23	605961		SAND BOTTLE .....	1
24	605962		SAND BOTTLE CAP .....	1
25	603800		FLANGE HEAD BOLT, M10 - 1.5 X 50.....	1
26	606085		SAND BOTTLE MOUNTING BRACKET .....	1
27	600525		LOCK NUT, M10 - 1.5.....	1



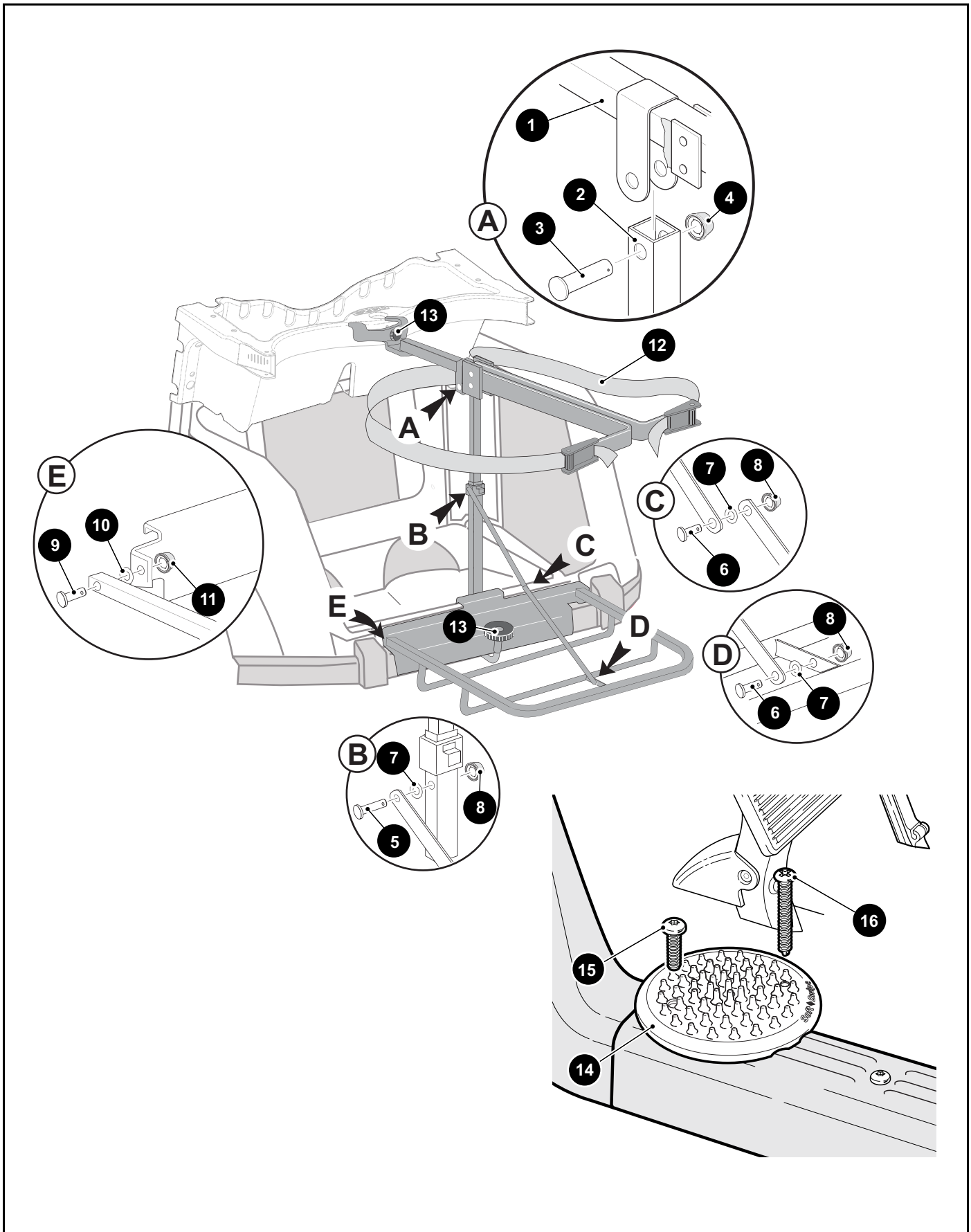
When ordering parts, please specify the model and serial number of the product.

\* Indicates a component that is not available as an individual part.

\*\*\* Indicates consult Customer Service Department for additional information.

ITEM	PART NO.	1 2 3 4 5	DESCRIPTION	QTY.
1	604214		DIVOT REPAIR KIT, DRIVER SIDE (includes items 3 - 9) .....	1
2	603250		DIVOT REPAIR KIT, PASSENGER SIDE (includes items 4 - 10) .....	1
3	603825		MOUNTING BRACKET, DRIVER SIDE .....	1
4	606256		FLANGED HEX HEAD BOLT, M10 - 1.5 X 34 .....	4
5	608520		POLYPROPYLENE WASHER.....	4
6	606274		FLANGED HEX NUT, M10 - 1.25 .....	4
7	605702		DIVOT REPAIR BUCKET ASSEMBLY (includes items 8 - 9) .....	1
8	607635		DIVOT REPAIR BUCKET, TOP .....	1
9	607881		DIVOT REPAIR BUCKET, BOTTOM.....	1
10	74848G01		SCOOP.....	1
11	603824		MOUNTING BRACKET, PASSENGER SIDE .....	1
12				
13				
14	604216		CLUB & BALL WASHER KIT, DRIVER SIDE (includes items 16 - 20) .....	1
15	603252		CLUB & BALL WASHER KIT, PASSENGER SIDE (includes items 17 - 21)...	1
16	604576		MOUNTING BRACKET, DRIVER SIDE .....	1
17	606256		FLANGED HEX HEAD BOLT, M10 - 1.5 X 25 .....	4
18	608520		POLYPROPYLENE WASHER.....	4
19	606274		FLANGED HEX NUT, M10 - 1.25 .....	8
20	603836		CLUB & BALL WASHER .....	1
21	604577		MOUNTING BRACKET, PASSENGER SIDE .....	1

# BODY



When ordering parts, please specify the model and serial number of the product.

\* Indicates a component that is not available as an individual part.

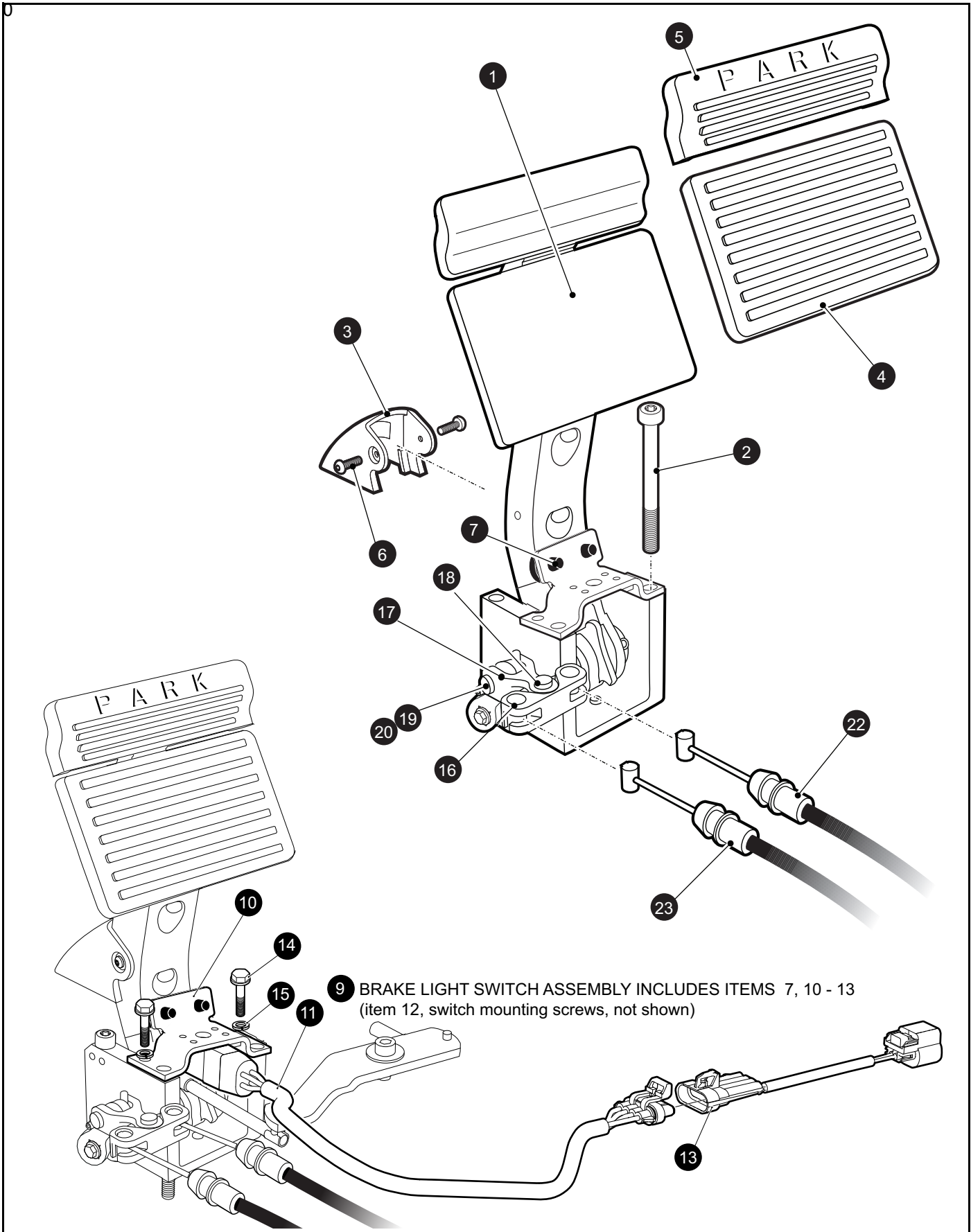
\*\*\* Indicates consult Customer Service Department for additional information.

ITEM	PART NO.	1 2 3 4 5	DESCRIPTION	QTY.
1	608949		TOP RACK ASSEMBLY .....	1
2	608956		BOTTOM RACK ASSEMBLY .....	1
3	17651G2		CLEVIS PIN 5/16" X 1.250" .....	1
4	28129G01		CAP NUT 5/16" PLASTIC .....	1
5	17651G2		CLEVIS PIN 5/16" X 1.250" .....	1
6	17651G3		CLEVIS PIN 5/16" X 0.625" .....	2
7	00559G8		FLAT WASHER 5/16" .....	3
8	28129G01		CAP NUT 5/16" BLACK .....	3
9	17651G1		CLEVIS PIN 3/8" X 1.250" .....	2
10	00560G1		FLAT WASHER .....	2
11	28128G02		CAP NUT 3/8" BLACK .....	2
12	17641G1		STRAP .....	2
13	75337G01		KNOB 5/16 - 18 THRU HOLE .....	2
14	604360		SOFTSWIPE .....	1
15	605957		BUTTON HEAD TORX SCREW, THREAD FORMING, M8 .....	1
16	620209		PAN HEAD PHILLIPS SCREW, #10 X 2" .....	1





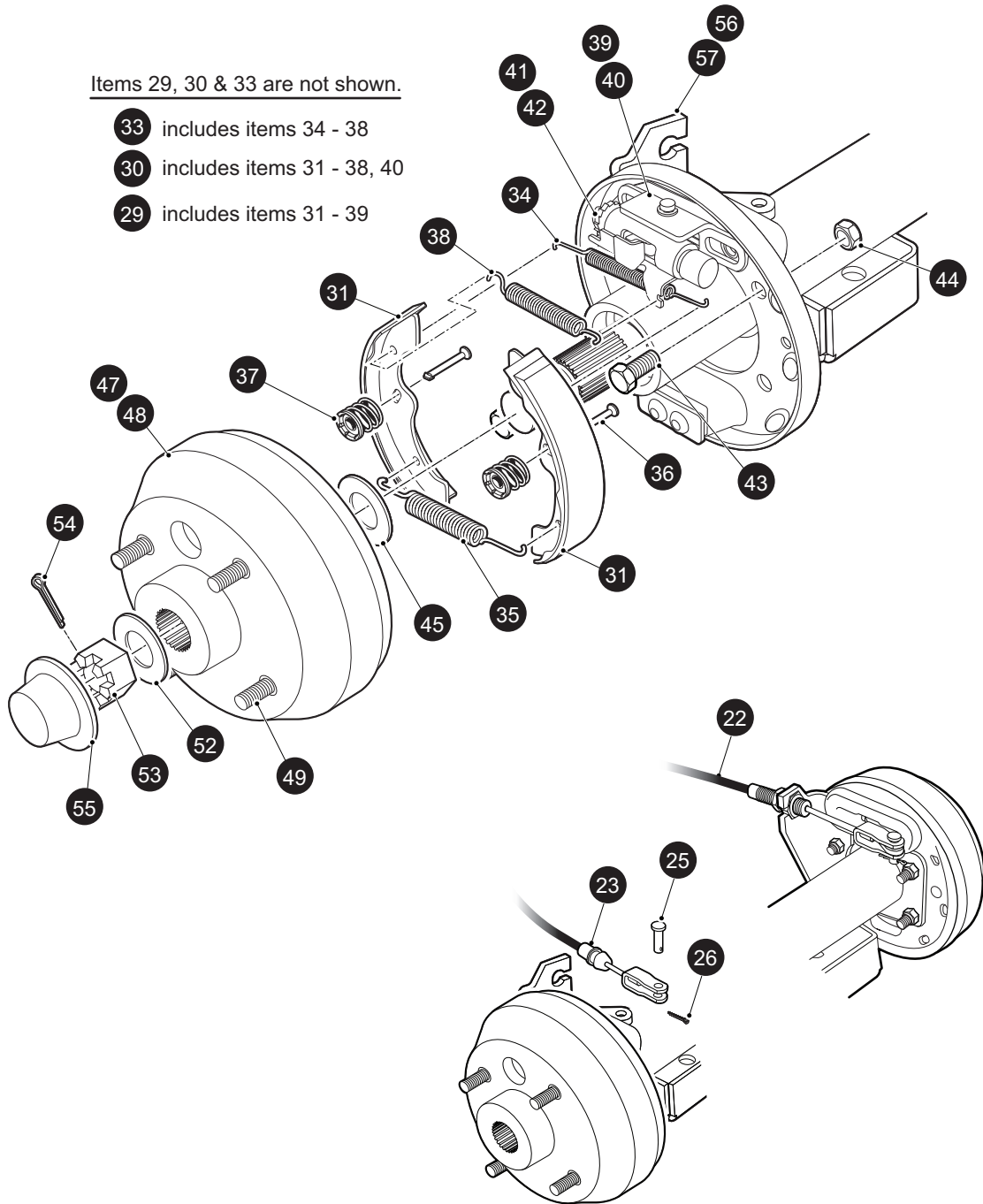
# BRAKES





Items 29, 30 & 33 are not shown.

- 33 includes items 34 - 38
- 30 includes items 31 - 38, 40
- 29 includes items 31 - 39



# BRAKES

When ordering parts, please specify the model and serial number of the product.

\* Indicates a component that is not available as an individual part.

\*\*\* Indicates consult Customer Service Department for additional information.

ITEM	PART NO.	1 2 3 4 5	DESCRIPTION	QTY.
1	610687		BRAKE PEDAL ASSEMBLY (includes items 2 - 7 and items 14 - 20)	
2	605254		SOCKET HEAD SCREW, M8 - 1.25 X 90.....	4
3	605688		BRAKE PEDAL COVER .....	1
4	610471		BRAKE PEDAL RUBBER COVER .....	1
5	610635		PARK BRAKE PEDAL RUBBER COVER.....	1
6	600543		BOLT, M4 - .7 X 12.....	2
7	604097		REBOUND BUMPER.....	2
8				
9	609260		BRAKE LIGHT SWITCH ASSEMBLY (includes items 7, 10-13).....	1
10	609226		BRAKE LIGHT SWITCH BRACKET .....	1
11	607605		SWITCH.....	1
12	620030		SOCKET HEAD CAP SCREW, M5 X 0.8 .....	2
13	609181		JUMPER HARNESS.....	1
14	613231		HEX HEAD BOLT, M6 - 1.00 X 20.....	2
15	601327		LOCK WASHER, M6 .....	2
16	604458		EQUALIZER .....	1
17	604459		BRAKE CABLE CLIP.....	1
18	601894		CLEVIS PIN, 8MM X 21.5MM .....	1
19	601835		E CLIP RING, 8 MM.....	2
20	601895		CLEVIS PIN, 8MM X 27.0MM .....	1
21				
22	601286		BRAKE CABLE, PASSENGER SIDE .....	1
23	611373		BRAKE CABLE, DRIVER SIDE.....	1
24				
25	10386G3		CLEVIS PIN.....	2
26	10387G3		COTTER PIN .94 X .75 .....	2
27				
28				
29	70998-G01		BRAKE ASSEMBLY (PASSENGER SIDE) (INCLUDES ITEMS 31 - 38).....	1
30	70998-G02		BRAKE ASSEMBLY (DRIVER SIDE) (INCLUDES ITEMS 31 - 38, 40).....	1
31	70795G01		BRAKE SHOE.....	4

When ordering parts, please specify the model and serial number of the product.

\* Indicates a component that is not available as an individual part.

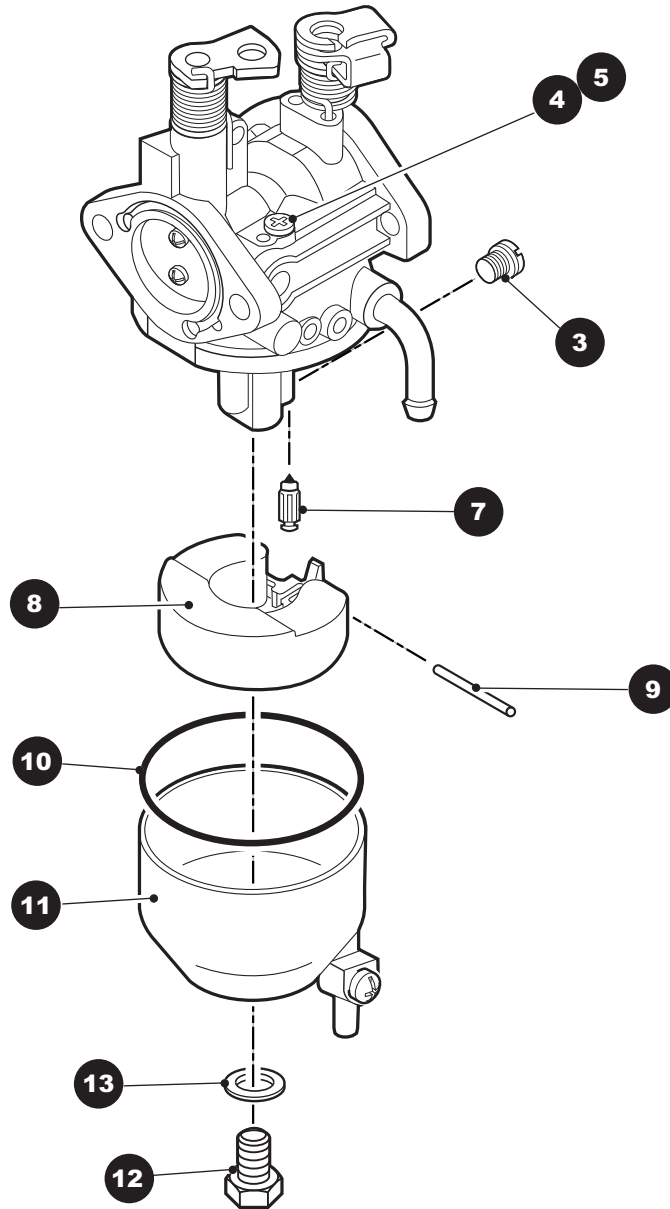
\*\*\* Indicates consult Customer Service Department for additional information.

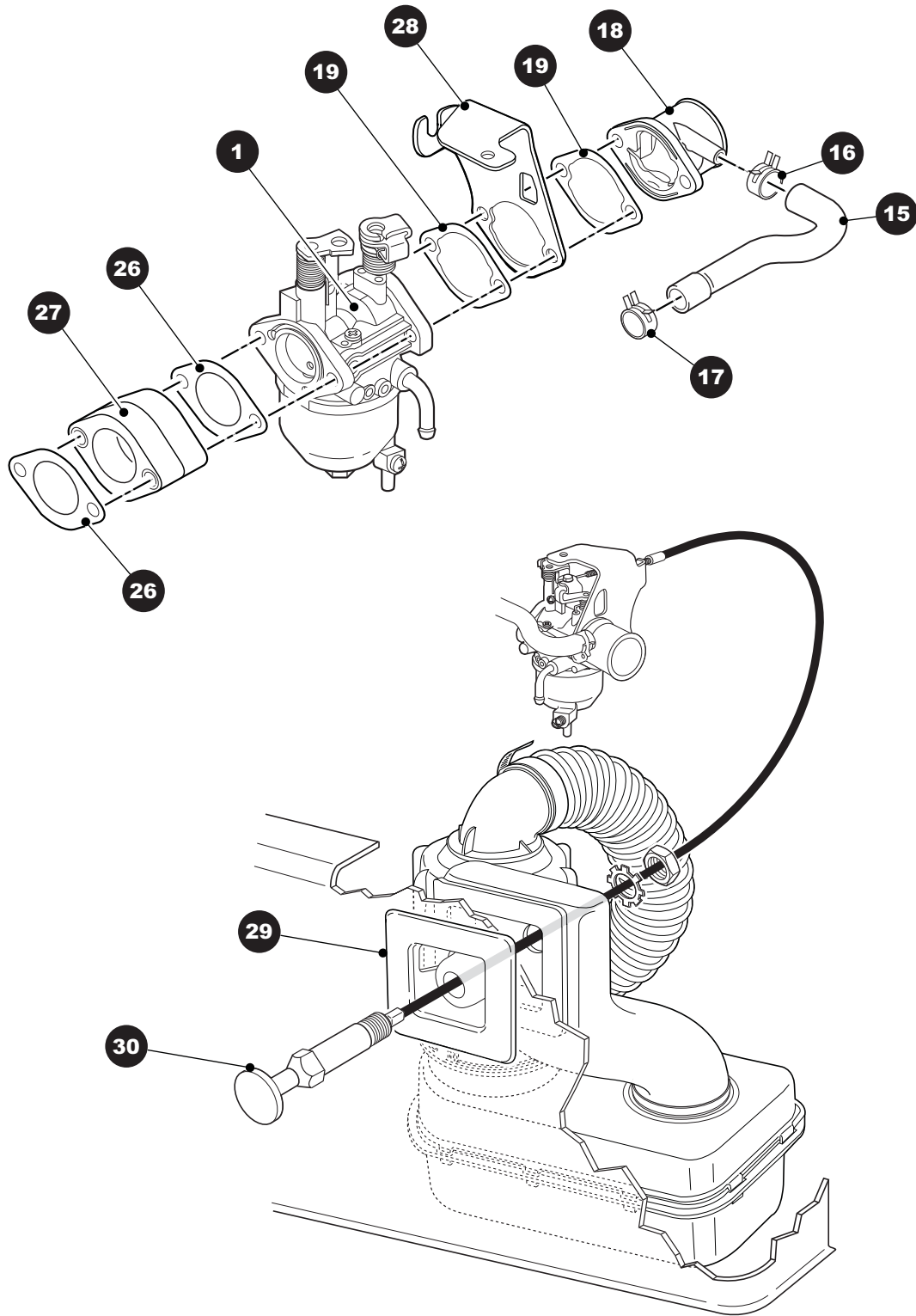
ITEM	PART NO.	1	2	3	4	5	DESCRIPTION	QTY.
32								
33	27944-G01						BRAKE SPRING KIT (INCLUDES ITEMS 34 - 38) .....	2
34	*						UPPER SPRING .....	1
35	*						LOWER SPRING .....	1
36	*						PIN .....	2
37	*						CUP AND SPRING .....	2
38	*						ADJUSTER SPRING .....	1
39	72582-G01						BRAKE ADJUSTER KIT (PASSENGER SIDE) (INCLUDES ITEMS 41, 42)	1
40	72582-G02						BRAKE ADJUSTER KIT (DRIVER SIDE) (INCLUDES ITEMS 41, 42)....	1
41	*						ADJUSTER .....	1
42	*						TEFLON WASHER .....	2
43	17083-G2						BOLT, 5/16 - 24 X 1" LG.....	8
44	15126-G1						LOCK NUT, 5/16 - 24 .....	8
45	21809-G1						INNER BRAKE DRUM WASHER, 1 5/16" O.D. X 1" I.D. X 1/32" .....	2
46								
47	21807-G1						BRAKE DRUM ASSEMBLY (INCLUDES ITEMS 48 - 49) .....	2
48	*						BRAKE DRUM.....	1
49	19862-G1						LUG BOLT, 1/2 - 20 X 1 3/16" LG.....	4
50								
51								
52	21830-G1						OUTER BRAKE DRUM WASHER.....	2
53	00518-G8						CASTELLATED NUT, 3/4 - 16.....	2
54	10387-G1						COTTER PIN, 1/8" X 1 1/2" LG.....	2
55	74175-G01						SPINDLE CAP .....	2
56								
57	608200						BRAKE CABLE BRACKET (PASSENGER SIDE) .....	1
58	610096						BRAKE CABLE BRACKET (DRIVER SIDE).....	1





# CARBURETOR AND CHOKE





# CARBURETOR AND CHOKE

When ordering parts, please specify the model and serial number of the product.

\* Indicates a component that is not available as an individual part.

\*\*\* Indicates consult Customer Service Department for additional information.

ITEM	PART NO.	1 2 3 4 5	DESCRIPTION	QTY.
1	607954		CARBURETOR (INCLUDES ITEMS 3 - 21).....	1
2				
3	607683		MAIN JET (#104) .....	1
4	608021		PILOT JET (#44) .....	1
5	603585		PLUG .....	1
6				
7	603586		NEEDLE VALVE.....	1
8	603587		FLOAT.....	1
9	603588		FLOAT PIN.....	1
10	603589		FLOAT BOWL GASKET.....	1
11	603590		FLOAT CHAMBER.....	1
12	603592		BOWL SCREW .....	1
13	603591		BOWL GASKET .....	1
14				
15	603598		BREATHER TUBE .....	1
16	603596		CLAMP, INTAKE TUBE.....	1
17	603597		CLAMP CYLINDER HEAD TUBE.....	1
18	603594		INTAKE TUBE.....	1
19	603593		CHOKE GASKET.....	2
20	603595		NUT, M6 X 1.0.....	2
21	608023		THROTTLE ROD ATTACHMENT BUSHING.....	1
22				
23	607684		MAIN JET (#102) (FOR ELEVATIONS OF 3000 FT - 6000 FT).....	1
24	607685		MAIN JET (#100) (FOR ELEVATIONS OF 6000 FT - 10000 FT).....	1
25				
26	603580		CARBURETOR MOUNT GASKET.....	2
27	603581		CARBURETOR INSULATOR .....	1
28				
29	600209		CHOKE/AIR INTAKE ADAPTER.....	1
30	601986		CHOKE CABLE (22 1/4" LG WITH NUTS).....	1







When ordering parts, please specify the model and serial number of the product.

\* Indicates a component that is not available as an individual part.

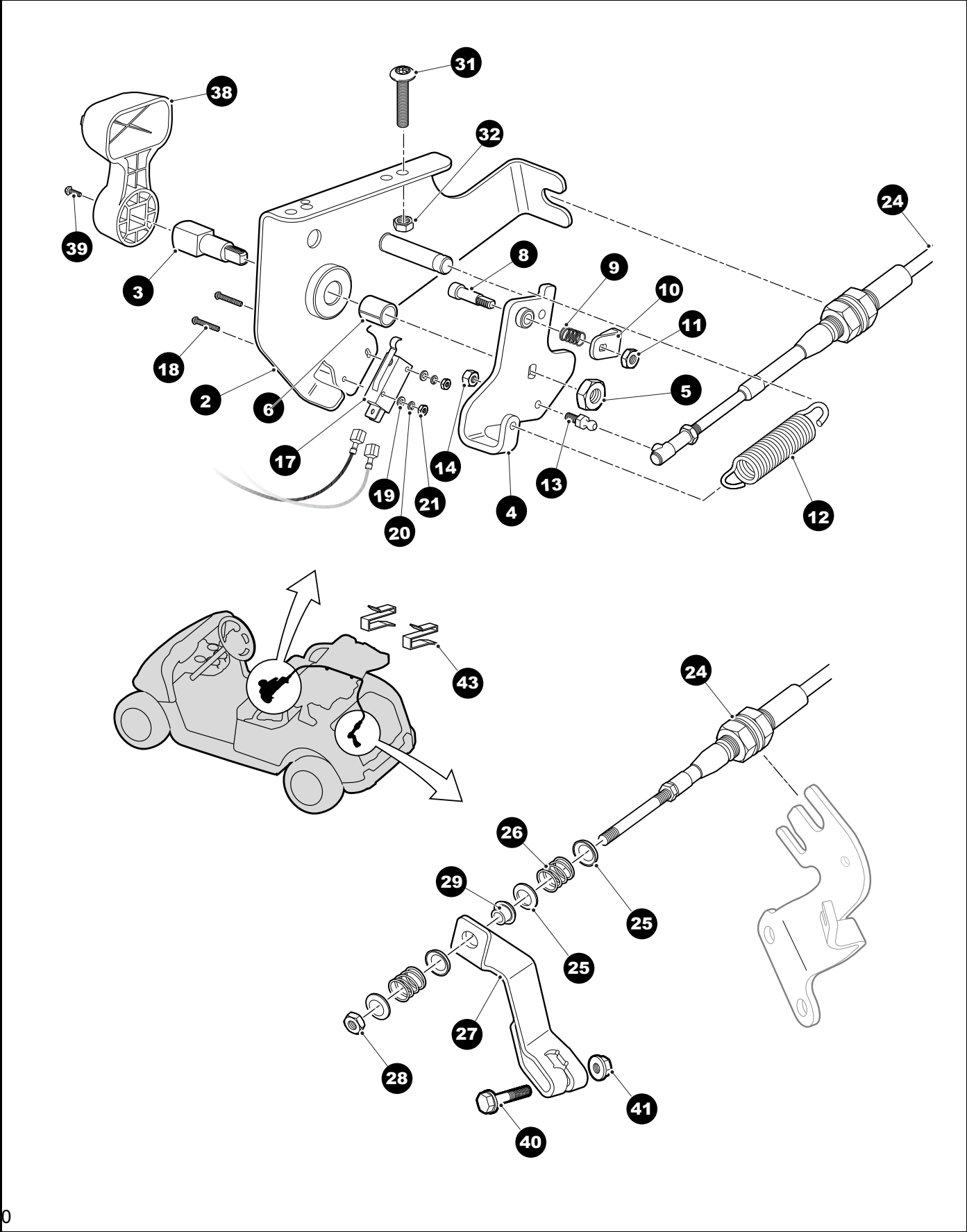
\*\*\* Indicates consult Customer Service Department for additional information.

ITEM	PART NO.	1 2 3 4 5	DESCRIPTION	QTY.
1	618684		PRIMARY TEAM CLUTCH (Includes items 2 - 10).....	1
2	619333		PRIMARY STARTER PULLY, 195 - SVC.....	1
3	619334		STATIONARY ASSEMBLY .....	1
4	619335		MOVEABLE PRIMARY ASSEMBLY .....	1
5	619336		SHIFT ROLLER ASSEMBLY.....	6
6	619337		SHIM, 39.5 X 31.75 .....	1
7	619338		PRIMARY SPIDER ASSEMBLY .....	1
8	619339		PRIMARY DUST COVER ASSEMBLY.....	1
9				
10	619332		HEX TAP SCREW, 1/4 - 20 X.75.....	7
11	618630		BELT DRIVE .....	1
12	618685		SECONDARY TEAM CLUTCH (Includes items 13 - 20) .....	1
13	*		SECONDARY STATIONARY, 9.5.....	1
14	*		MOVEABLE SECONDARY, 9.5.....	1
15	619327		INNER RETAINER SPRING.....	1
16	619328		COMPRESSION SPRING, 2.70 OD.....	1
17	619329		OUTER SPRING RETAINER .....	1
18	619330		RETAINER RING.....	1
19	619331		THRUST WASHER, 1.530 x 1.830 x 1.....	1
20				
21	606239		CONICAL WASHER, M12 .....	2
22	00566G3		SPRING TYPE LOCK WASHER .....	2
23	606245		HEX BOLT, M12 - 1.25 X 160 .....	1
24	606243		HEX BOLT, M12 - 1.25 X 120 .....	1
25	606230		CLUTCH WASHER.....	1





# DIRECTION SELECTOR



# DIRECTION SELECTOR

When ordering parts, please specify the model and serial number of the product.

\* Indicates a component that is not available as an individual part.

\*\*\* Indicates consult Customer Service Department for additional information.

0

ITEM	PART NO.	1 2 3 4 5	DESCRIPTION	QTY.
1	608161		DIRECTION SELECTOR ASSEMBLY (INCLUDES ITEMS 2 - 28).....	1
2	603627		DIRECTION SELECTOR BRACKET WITH BUSHING .....	1
3	608150		DIRECTION SELECTOR SHAFT .....	1
4	603700		DIRECTION SELECTOR CAM.....	1
5	14390-G1		LOCK NUT, 3/8 - 24.....	1
6	25664-G2		BUSHING .....	1
7				
8	72724-G01		NEUTRAL LOCK PIN .....	1
9	72733-G01		COMPRESSION SPRING, 3/8" X 5/8" LG .....	1
10	72729-G01		NEUTRAL LOCK BRACKET .....	1
11	00734-G2		LOCK NUT, 1/4 - 28.....	1
12	28574-G01		EXTENSION SPRING .....	1
13	72732-G01		BALL STUD, 1/4" .....	1
14	00734-G5		LOCK NUT, #10 - 32.....	1
15				
16				
17	72736-G01		MICRO SWITCH .....	1
18	01062-G01		SCREW, #4 - 40 X 1" LG.....	2
19	00559-G1		WASHER, #4 .....	2
20	00565-G1		LOCK WASHER, #4 .....	2
21	00526-G2		NUT, #4 - 40 .....	2
22				
23				
24	603615		PUSH / PULL SHIFTER CABLE .....	1
25	25727-G01		CUP WASHER, 1/4" .....	4
26	72735-G01		COMPRESSION SPRING, 19/32" X 1" LG .....	2
27	606014		FNR PIVOT BRACKET .....	1
28	00734-G5		LOCK NUT, #10 - 32.....	1
29	22754G4		FLIP-LOK BUSHING, .25 DIA.....	1
30				
31	601326		BOLT, M6 - 1.00 X 20.....	2

# DIRECTION SELECTOR

When ordering parts, please specify the model and serial number of the product.

\* Indicates a component that is not available as an individual part.

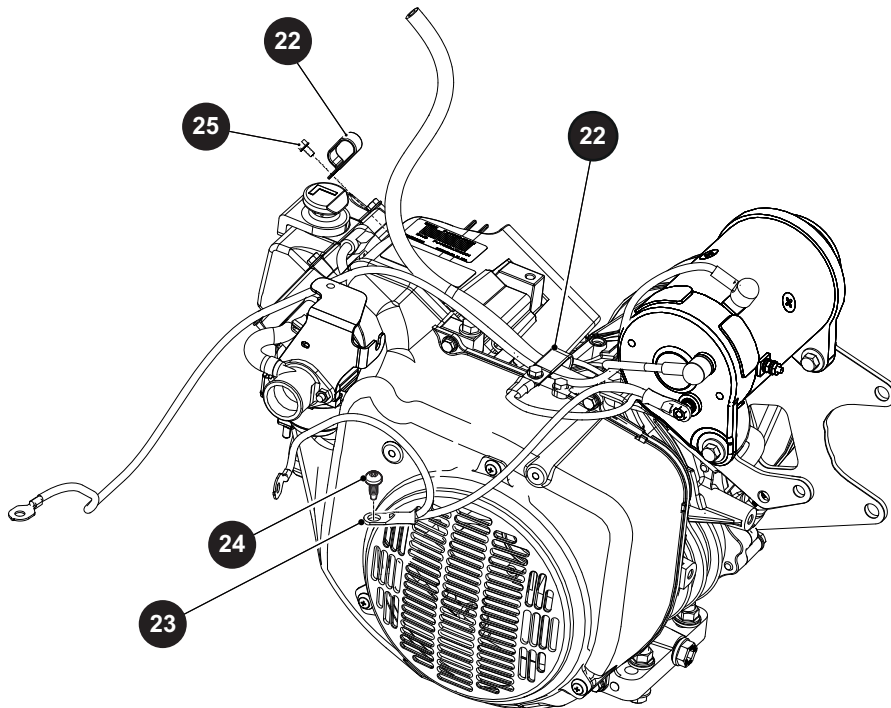
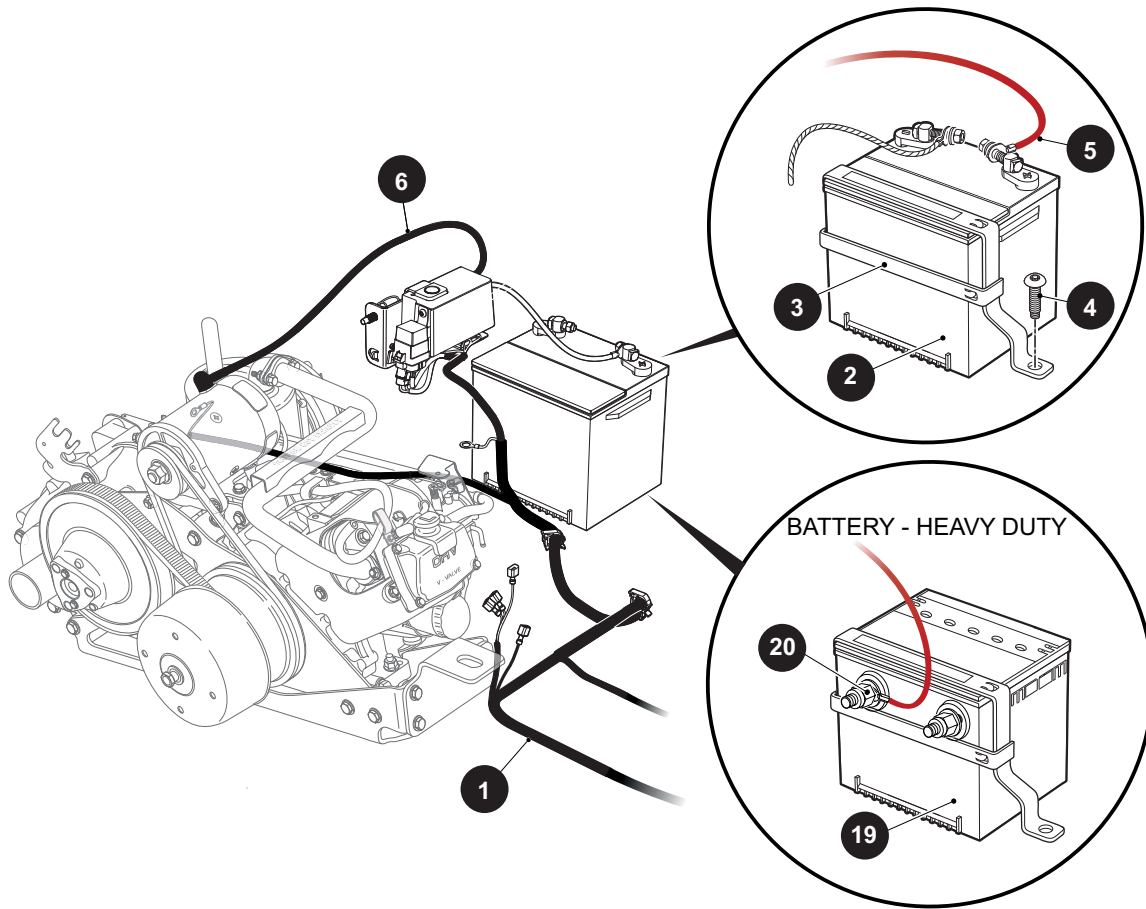
\*\*\* Indicates consult Customer Service Department for additional information.

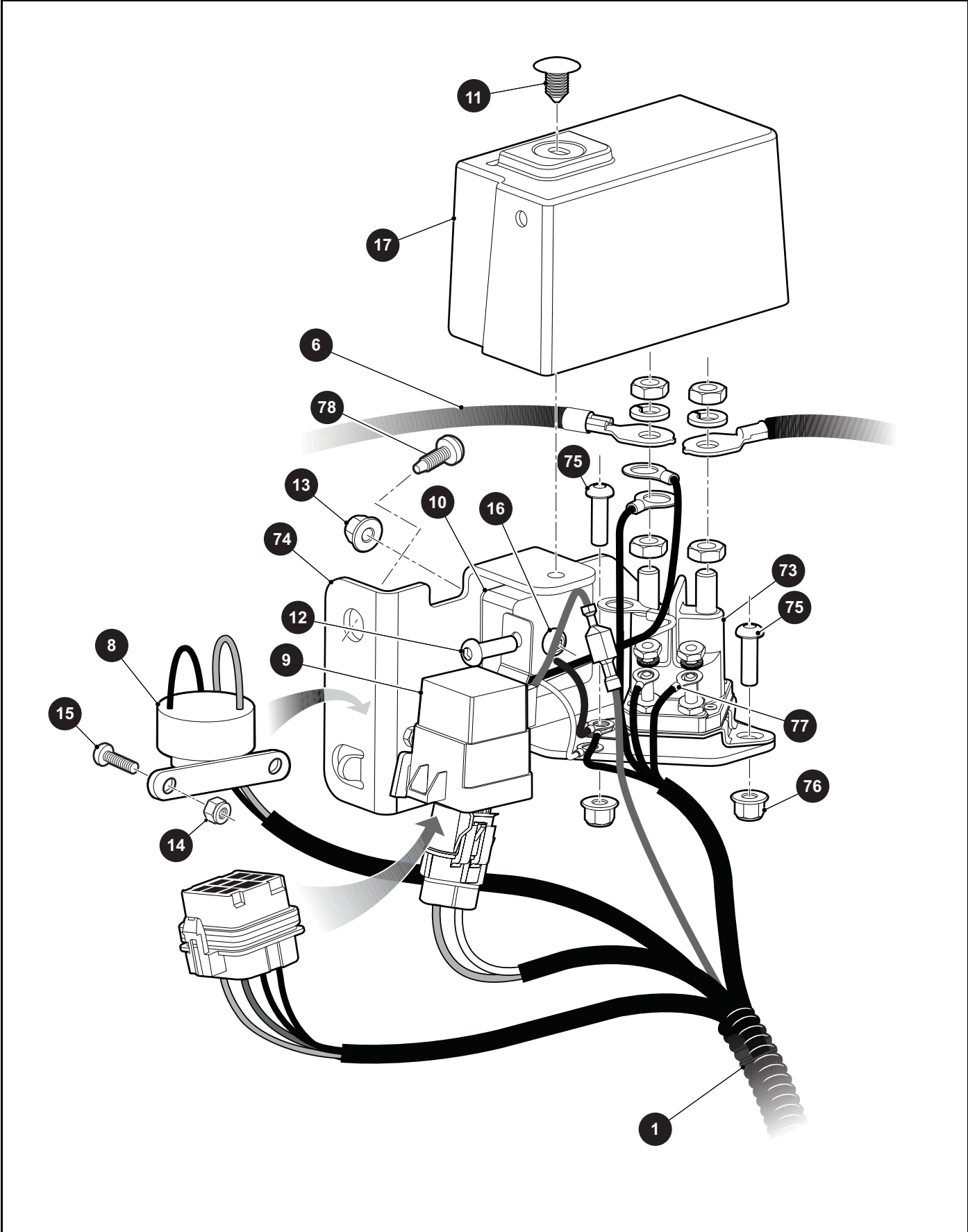
ITEM	PART NO.	1 2 3 4 5	DESCRIPTION	QTY.
32	450452		NUT, M6 - 1.00 .....	2
33				
34				
35	26830-G01		LOCK NUT, M8 X 1.25 MM .....	1
36				
37				
38	71205-G01		DIRECTION SELECTOR HANDLE .....	1
39	00740-G4		SCREW, #10 - 32 X 1/2" LG (STAINLESS STEEL) .....	1
40	606421		BOLT, M6 - 1.00 X 30 .....	1
41	450452		NUT, M6 - 1.00 .....	1
42				
43	01072-G01		CABLE CLIP .....	2



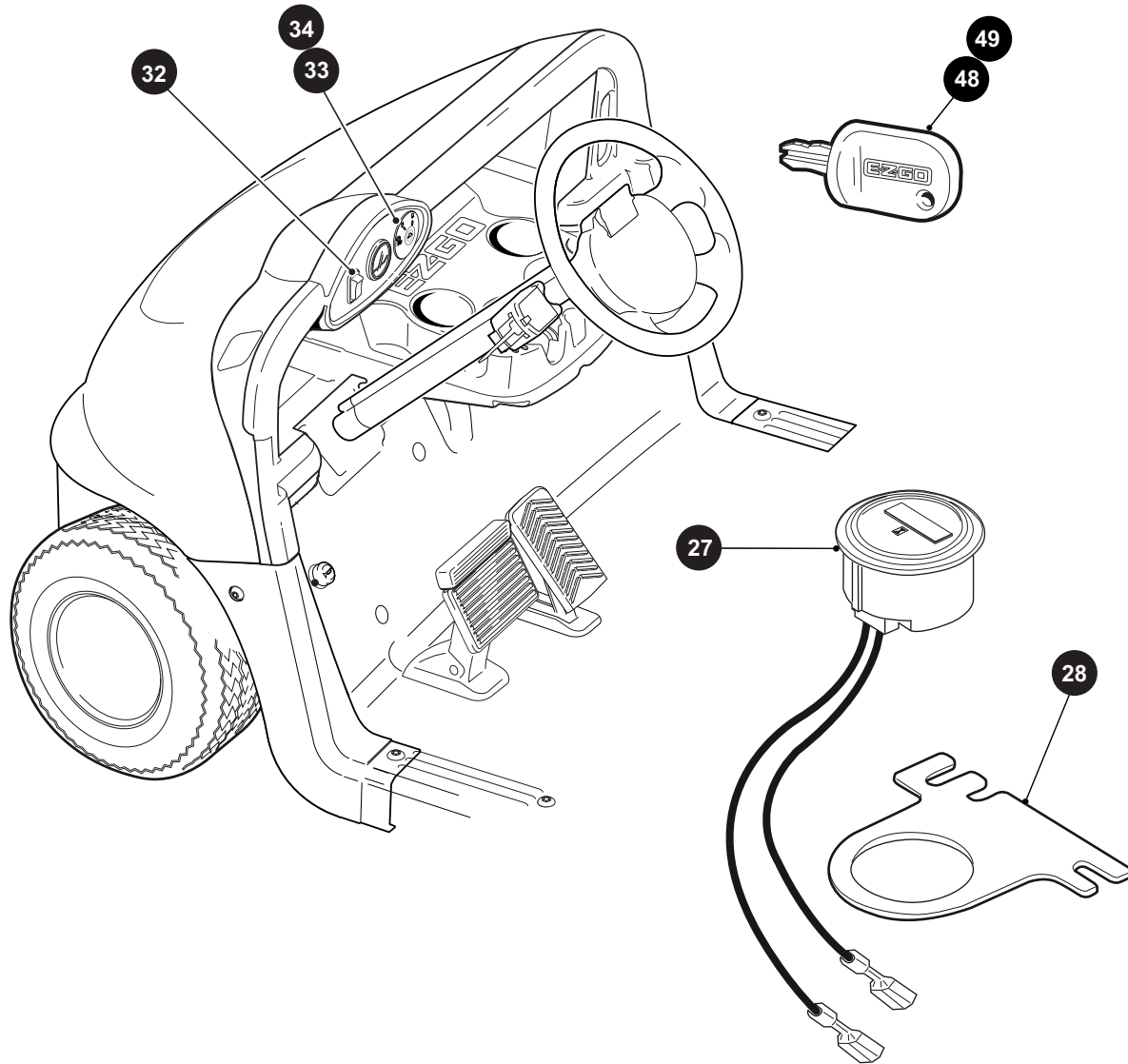


# ELECTRICAL SYSTEM

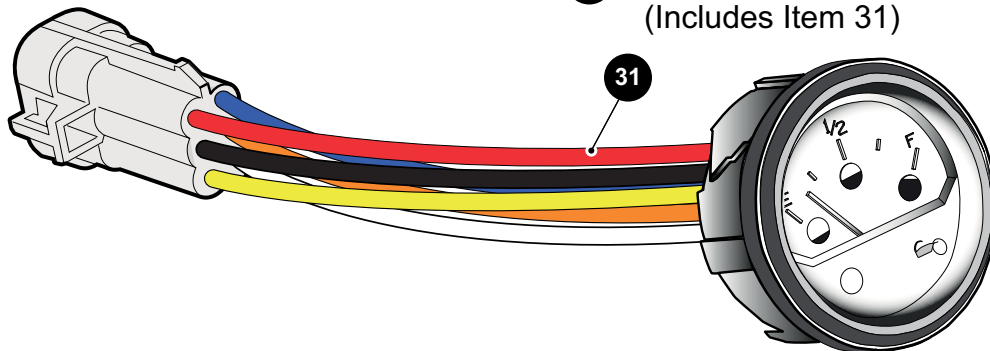


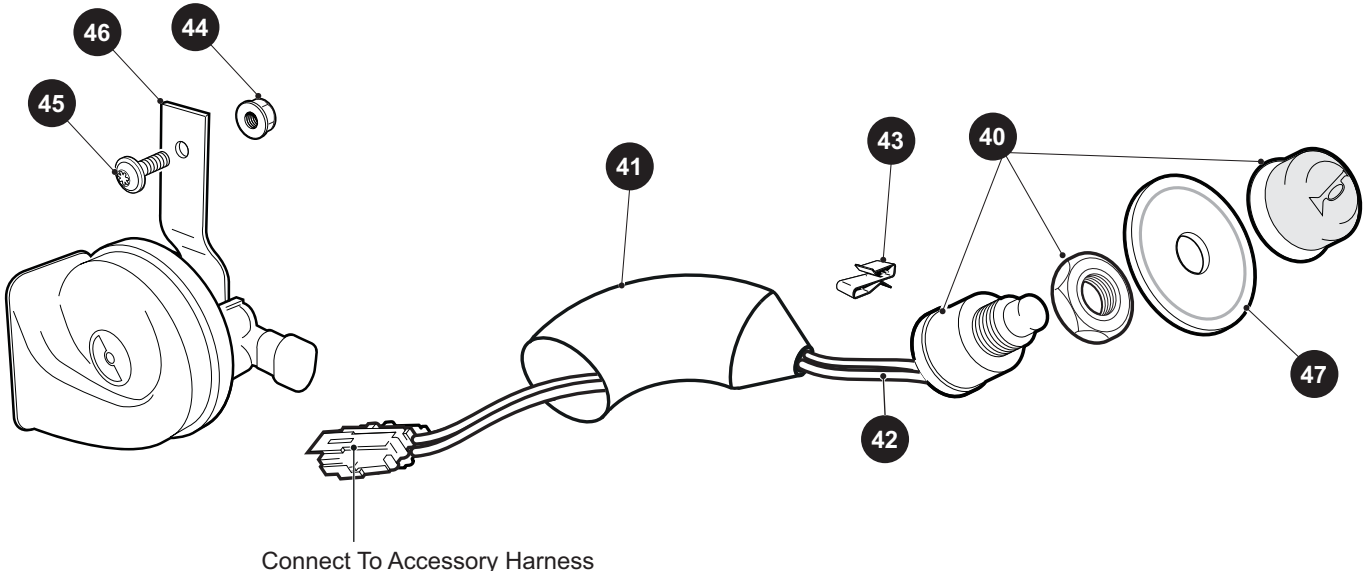
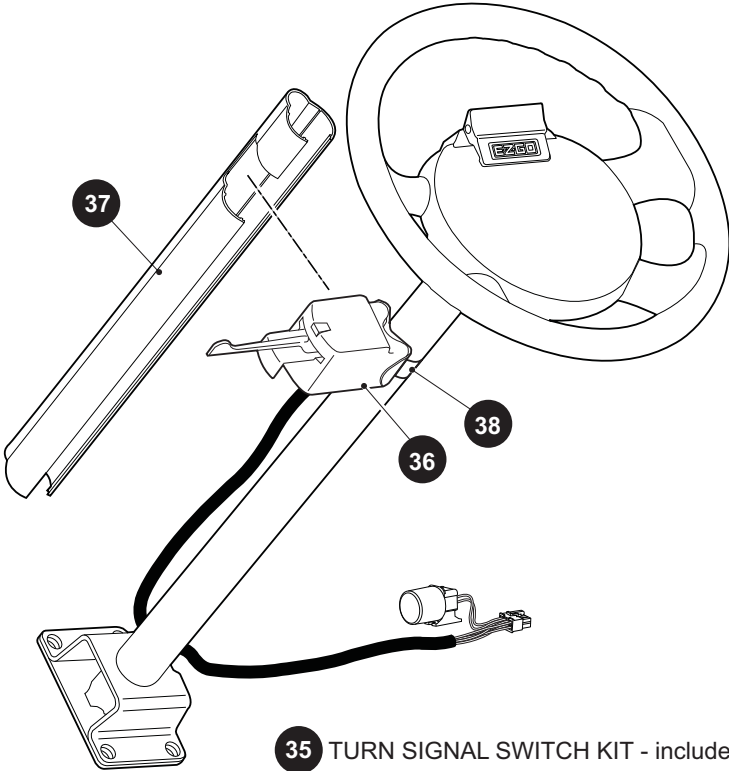


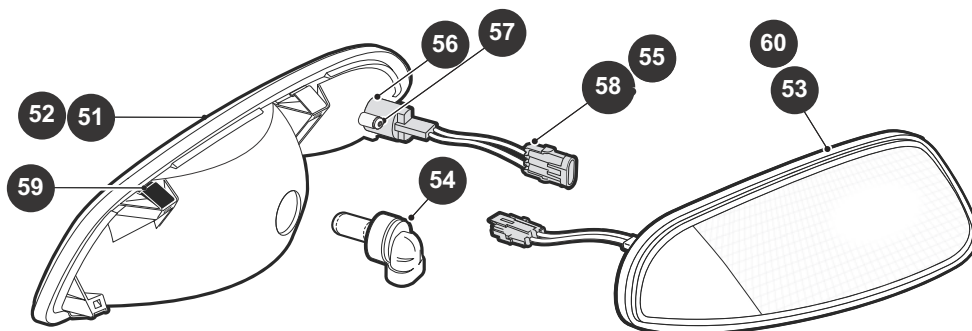
# ELECTRICAL SYSTEM



**30** State of Charge Meter Kit  
(Includes Item 31)

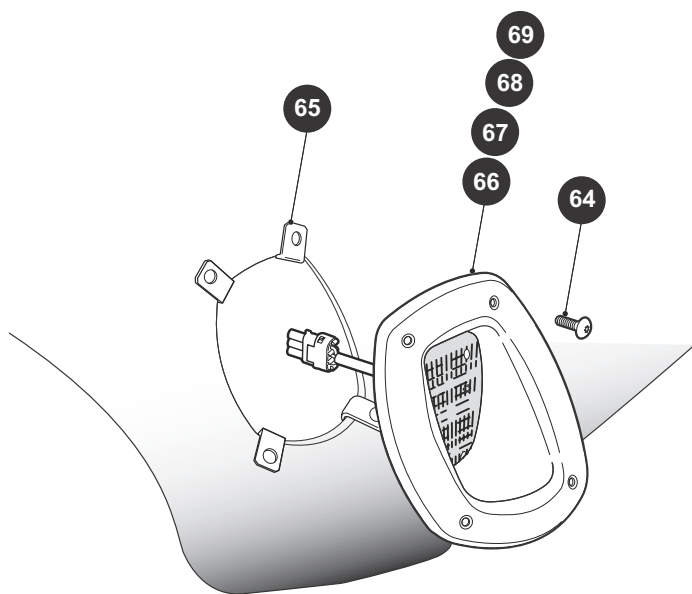


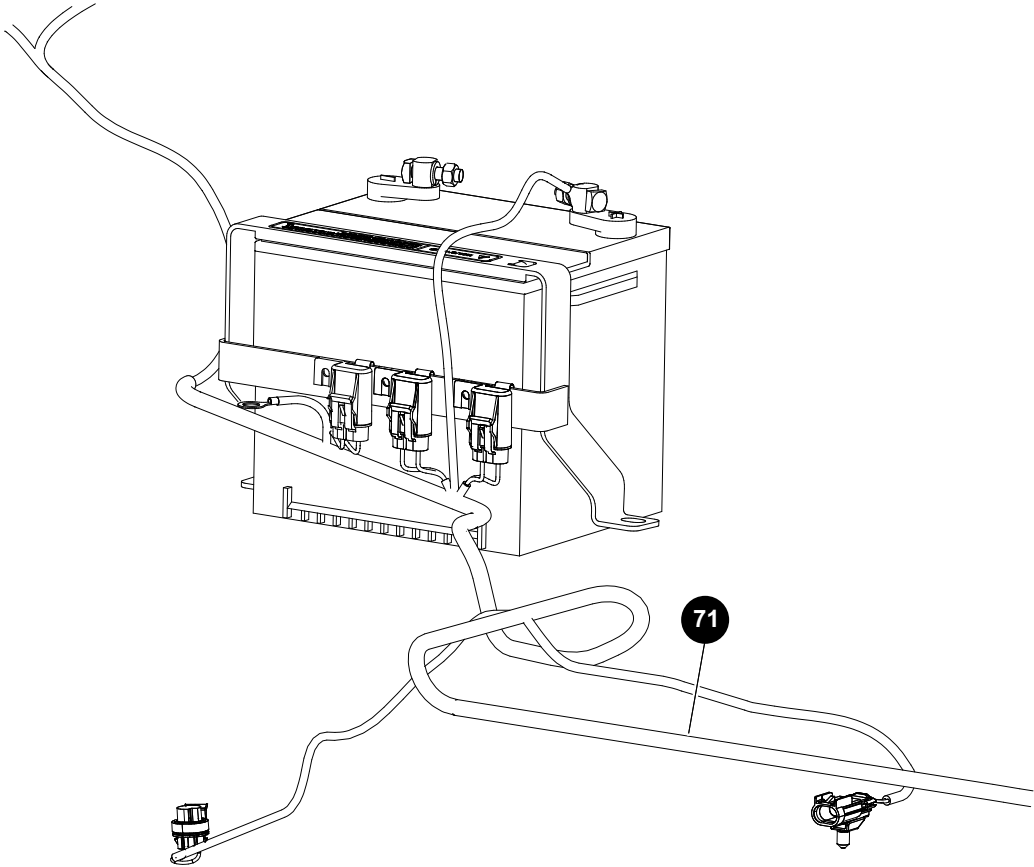




**50** HEAD LIGHT KIT - includes items 51 - 60

**62** TAIL LIGHT KIT - includes items 63 - 69





# ELECTRICAL SYSTEM

When ordering parts, please specify the model and serial number of the product.

\* Indicates a component that is not available as an individual part.

\*\*\* Indicates consult Customer Service Department for additional information.

ITEM	PART NO.	1 2 3 4 5	DESCRIPTION	QTY.
1	615758		MAIN HARNESS, .....	1
2	24775G1		BATTERY, 12V .....	1
3	601832		BATTERY TIE DOWN .....	1
4	605957		BOSS SCREW, M8 .....	2
5	601462		POSITIVE BATTERY CABLE (SOL - BATT+) .....	1
6	603874		6 GA. WIRE, (SOL - F2) .....	1
7				
8	608899		REVERSE WARNING BUZZER KIT .....	1
9	603282		RELAY, 12V .....	1
10	27739G01		VOLTAGE REGULATOR .....	1
11	16816G1		RACHET FASTENER .....	1
12	601326		SCREW, M6 - 1.0 X 25 .....	1
13	601476		LOCK NUT, M6 - 1 .....	2
14	602053		LOCK NUT, M4 - 0.7 .....	3
15	600543		SCREW, M4 - 0.7 X 12 .....	3
16	602063		SCREW, M6 - 1.0 X 40 .....	1
17	603390		COVER .....	1
18				
19	600497		BATTERY, 12V HEAVY DUTY .....	1
20	610248		BOLT EXTENDER, BATTERY .....	1
21	602070		GROUND CABLE .....	1
22	606962		CLAMP .....	2
23	606264		BOLT, M6 - 1.0 X 20 .....	1
24	602572		BOLT, M10 - 1.5 - 25 .....	1
25	606265		BOLT, M6 - 1 X 12 .....	1
26				
27	607120		HOUR METER .....	1
28	603721		HOUR METER BRACKET .....	1
29				
30	610583		STATE OF CHARGE METER KIT (includes item 31) .....	1
31	612314		FUEL GAUGE .....	1



# ELECTRICAL SYSTEM

When ordering parts, please specify the model and serial number of the product.

\* Indicates a component that is not available as an individual part.

\*\*\* Indicates consult Customer Service Department for additional information.

ITEM	PART NO.	1 2 3 4 5	DESCRIPTION	QTY.
32	604019		HEADLIGHT SWITCH .....	1
33	611284		KEY SWITCH.....	1
34	609695		KEY SWITCH.....	1
35	607530		TURN SIGNAL SWITCH KIT (includes items 36 - 38).....	1
36	604511		TURN SIGNAL ASSEMBLY .....	1
37	20965G3		COVER.....	1
38	608771		RUBBER TAPE/INSULATION .....	1
39	624610		HORN ASSEMBLY KIT (includes items 40- 42) .....	1
40	17318G1		MOMENTARY SWITCH .....	1
41	27068G01		BOOT HORN SWITCH.....	1
42	618801		HORN BUTTON HARNESS.....	1
43	01072G01		CLIP .....	3
44	601476		LOCK NUT, M6 - 1 .....	1
45	601326		BUTTON HEAD TORX BOLT, M6 - 1 X 20 .....	1
46	604196		HORN ASSEMBLY .....	1
47	608397		HORN PLATE .....	1
48	609680		KEY .....	1
49	612956		KEY.....	1
50	607445		HEADLIGHT KIT (includes items 50 - 59).....	1
51	607439		HEADLIGHT ASSEMBLY, DRIVER SIDE (includes items 52 - 58) .....	1
52	607438		HEADLIGHT ASSEMBLY, PASSENGER SIDE (includes items 53 - 59) .	1
53	604452		GASKET, DRIVER SIDE .....	1
54	74004G01		HEADLIGHT BULB .....	1
55	604539		TURN SIGNAL BULB.....	1
56	608322		BULB RETAINER.....	1
57	608328		BUTTON HEAD TORX SCREW, PLASTITE .....	1
58	607487		TURN SIGNAL WIRE HARNESS .....	1
59	607434		HEADLIGHT RETAINING CLIP .....	4
60	607437		GASKET, PASSENGER SIDE .....	1
61	17618G1		NYLON CLAMP (Not Shown) .....	3
62	607450		TAIL LIGHT KIT (includes items 63 - 69) .....	1

# ELECTRICAL SYSTEM

When ordering parts, please specify the model and serial number of the product.

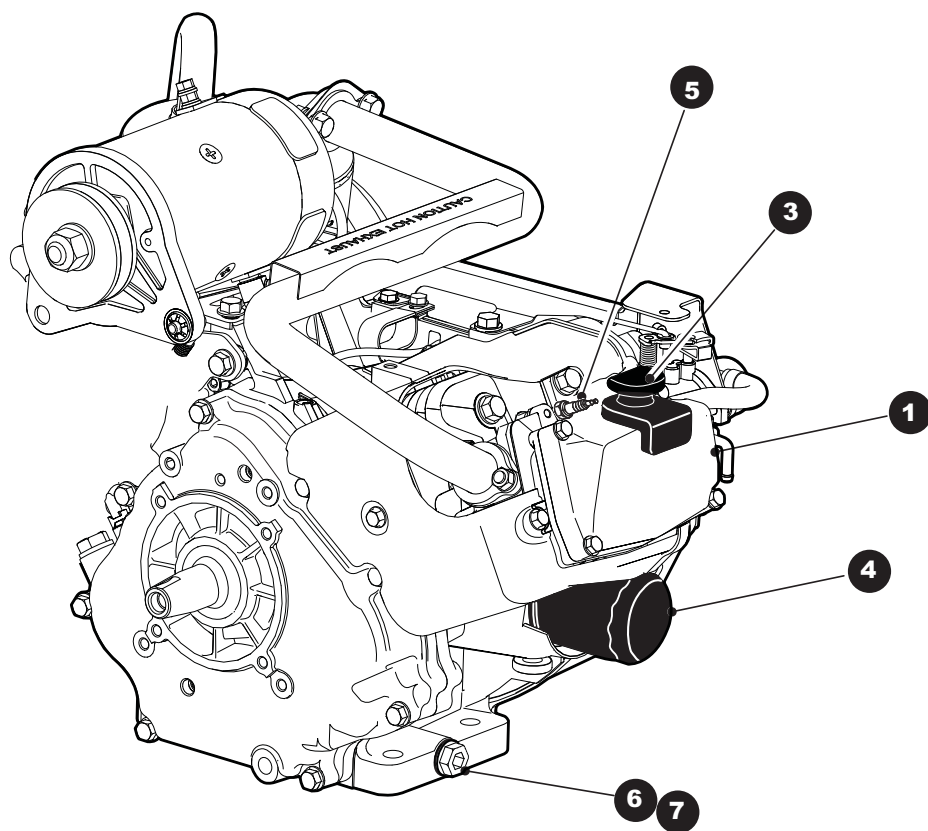
\* Indicates a component that is not available as an individual part.

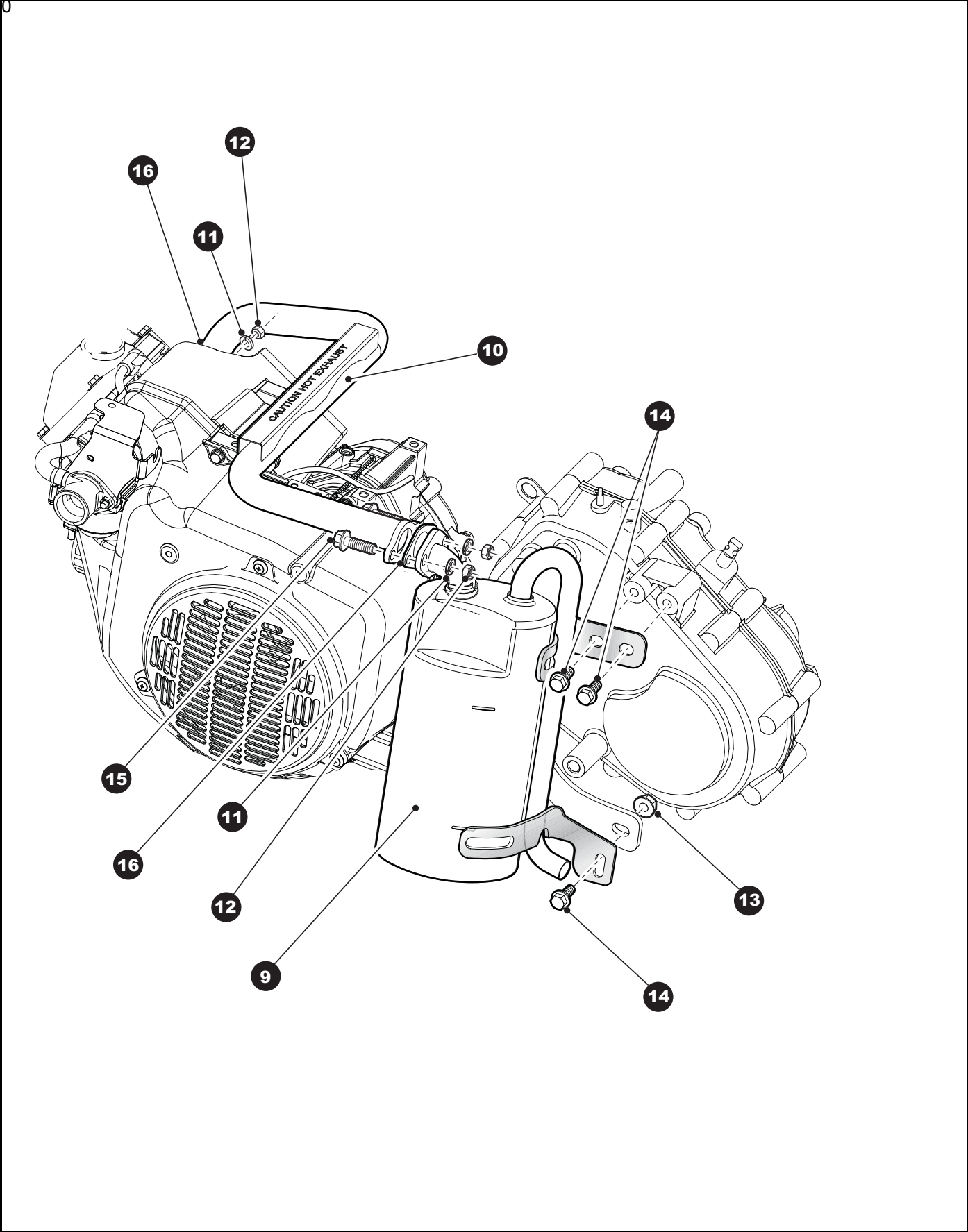
\*\*\* Indicates consult Customer Service Department for additional information.

ITEM	PART NO.	1	2	3	4	5	DESCRIPTION	QTY.
63	607474						TAIL LIGHT HARDWARE KIT (includes items 64 & 65 ) .....	1
64	601326						BUTTON HEAD TORX BOLT, M6 - 1 X 20.....	8
65	602409						BARRELL CLIP, M6.....	8
66	603325						TAIL LIGHT ASSEMBLY, DRIVER SIDE (includes items 68 & 69 .....	1
67	603326						TAIL LIGHT ASSEMBLY, PASSENGER SIDE (includes items 68 & 69) ..	1
68	604311						TAIL LIGHT BULB .....	1
69	604858						TAIL LIGHT LENS .....	1
70								
71	621167						ACCESSORY HARNESS.....	1
72	620963						SOLENOID KIT, 14 V (includes items 73 & 78).....	1
73	620962						SOLENOID BASE .....	1
74	615349						BRACKET .....	1
75	601326						SCREW, M6 - 1.0 X 25" LG .....	2
76	601476						LOCK NUT, M6 - 1 .....	2
77	11343G2						TERMINAL RING .....	2
78	602572						SCREW, M6 - 1.5 X 25" LG .....	1



# ENGINE AND MUFFLER





# ENGINE AND MUFFLER

When ordering parts, please specify the model and serial number of the product.

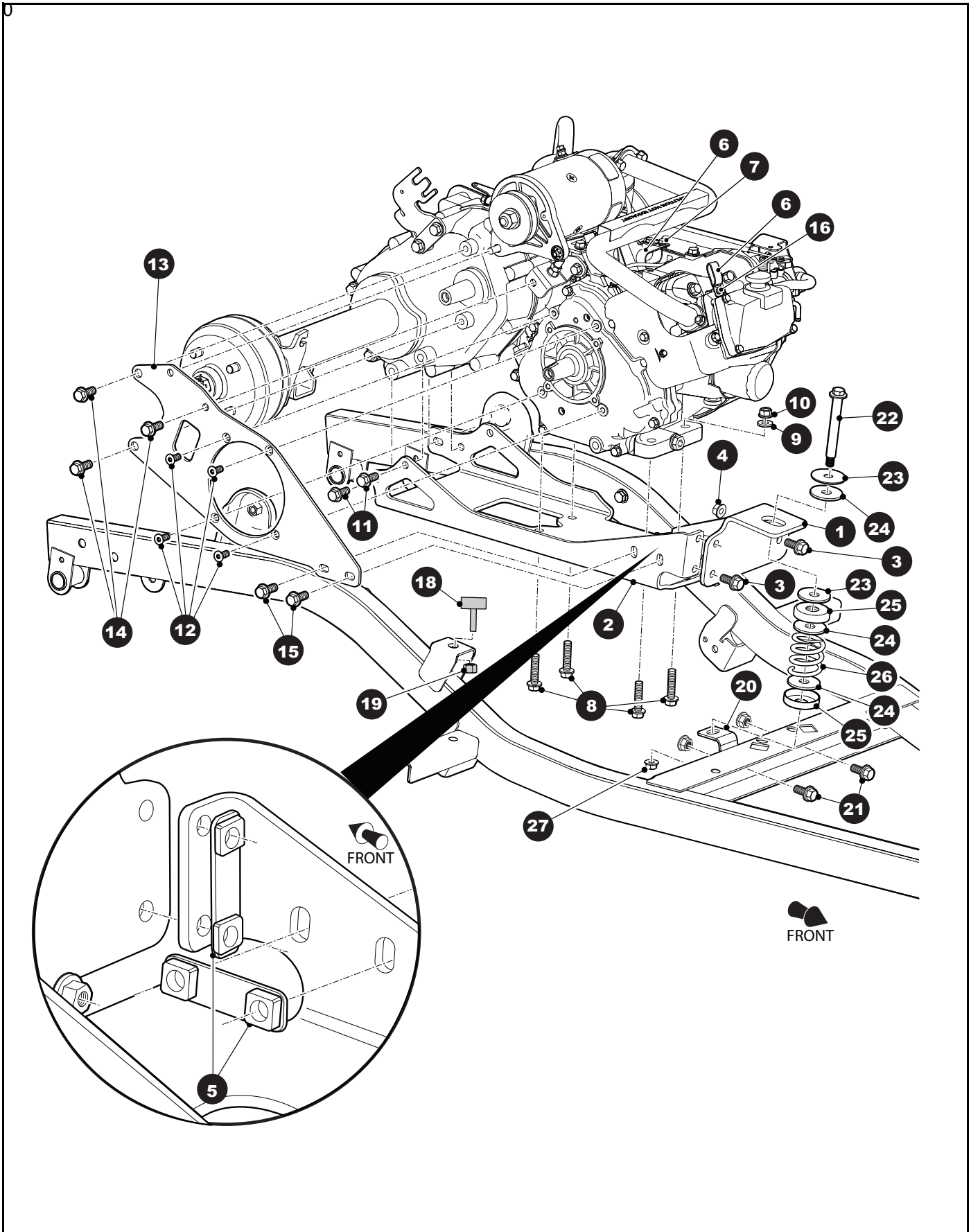
\* Indicates a component that is not available as an individual part.

\*\*\* Indicates consult Customer Service Department for additional information.

ITEM	PART NO.	1	2	3	4	5	DESCRIPTION	QTY.
1	602348						ENGINE.....	1
2								
3	606390						DIP STICK.....	1
4	607454						OIL FILTER .....	1
5	607462						SPARK PLUG (BPR2ES).....	1
6	603557						OIL DRAIN PLUG .....	1
7	603562						'O' RING, 16MM .....	1
8								
9	612266						MUFFLER.....	1
10	606982						EXHAUST PIPE .....	1
11	606272						WASHER, 8MM .....	4
12	606267						NUT, M8 X 1.25 .....	4
13	606279						NUT, M10 - 1.25 .....	1
14	606256						BOLT, M10 - 1.25 X 25 .....	3
15	602330						BOLT, M8 - 1.25 X 30 .....	2
16	603599						EXHAUST GASKET .....	2



# ENGINE MOUNTING





# ENGINE MOUNTING

When ordering parts, please specify the model and serial number of the product.

\* Indicates a component that is not available as an individual part.

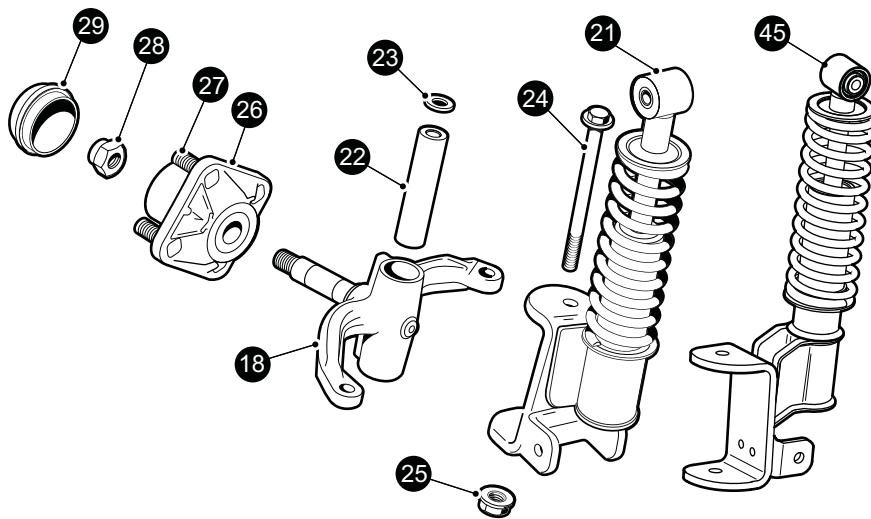
\*\*\* Indicates consult Customer Service Department for additional information.

ITEM	PART NO.	1 2 3 4 5	DESCRIPTION	QTY.
1	606007		FRONT ENGINE MOUNT .....	1
2	603101		ENGINE PAN MOUNT .....	1
3	606256		BOLT, M10 - 1.25 X 25 .....	3
4	606279		NUT, M10 - 1.25 .....	1
5	606096		NUT PLATE .....	2
6	606962		CLAMP .....	2
7	606264		BOLT, M6 - 1.0 X 20 .....	1
8	606259		BOLT, .....	4
9	603823		FLAT WASHER, M10 X 22 - 2.5 .....	4
10	606279		NUT, M10 - 1.25 .....	4
11	608020		BOLT, M10 - 1.25 X 34 .....	4
12	606246		FLAT HEAD SCREW, T40 .....	4
13	602146		DIFFERENTIAL PLATE .....	1
14	606256		BOLT, M10 - 1.25 X 25 .....	3
15	606256		BOLT, M10 - 1.25 X 25 .....	2
16	606265		BOLT, HXFL, M6 -1 X 12 .....	1
17				
18	70113G01		ADJUSTABLE RUBBER BUMPER .....	1
19	11098G6		PLASTIC LOCK NUT .....	1
20	609312		WELDMENT, ISO MOUNT .....	1
21	603799		BOLT, M10 -1.5 X 25 .....	2
22	606392		BOLT, M10 - 1.5 .....	1
23	607297		RUBBER WASHER .....	2
24	607298		DELTRIN WASHER .....	3
25	24939G2		CAP ADAPTER .....	2
26	606166		COMPRESSION SPRING .....	1
27	600525		NUT, PLS, LK, M10 - 1.5 .....	3



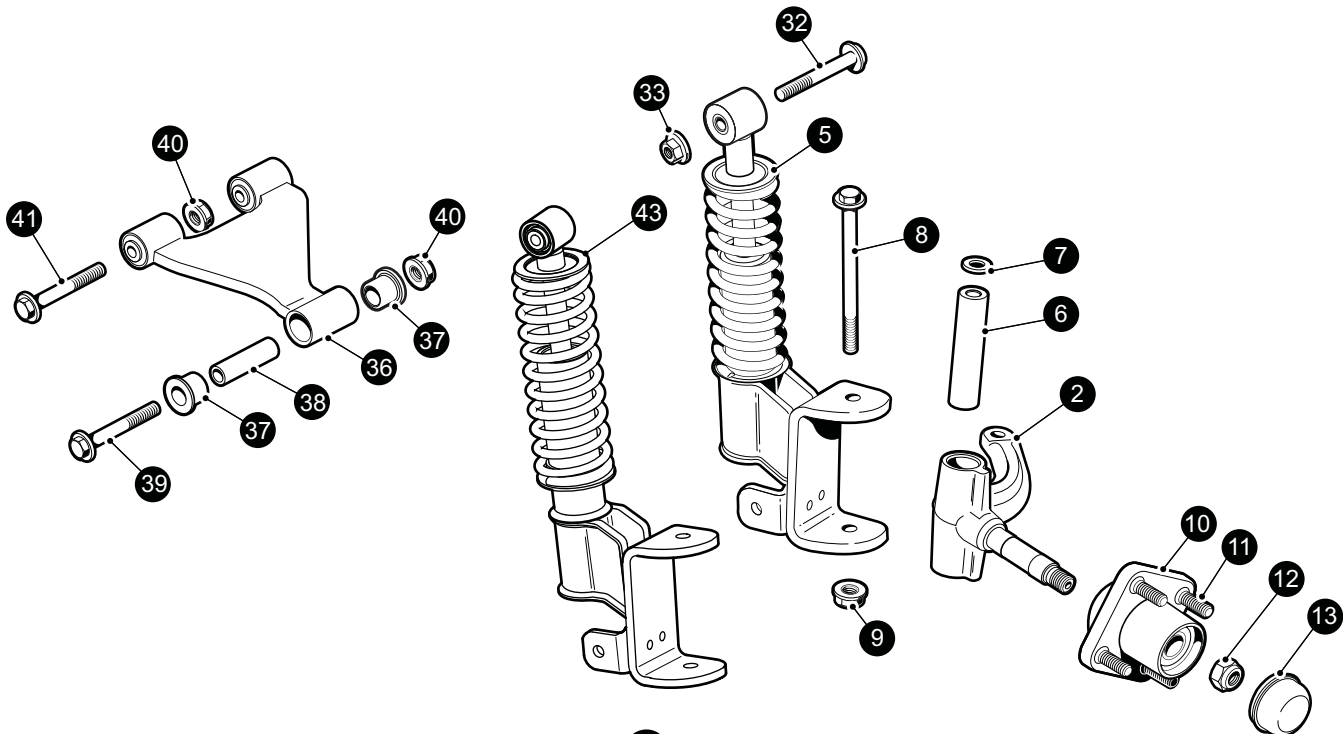


# FRONT SUSPENSION



**17** Front Suspension Assembly Passenger Side includes items 18, 21 - 29

**44** Front Suspension Assembly Passenger Side includes items 18, 22 - 29, 45



**1** Front Suspension Assembly Driver Side includes items 2, 5 - 13

**42** Front Suspension Assembly Driver Side includes items 2, 6 - 13, 43

# FRONT SUSPENSION

When ordering parts, please specify the model and serial number of the product.

\* Indicates a component that is not available as an individual part.

\*\*\* Indicates consult Customer Service Department for additional information.

ITEM	PART NO.	1 2 3 4 5	DESCRIPTION	QTY.
1	620671		SHOCK ABSORBER ASSEMBLY, DRIVER SIDE (includes items 2 - 13) .....	1
2	607413		SPINDLE ASSEMBLY, DRIVER SIDE.....	1
3				
4				
5	601246		STRUT ASSEMBLY, DRIVER SIDE .....	1
6	614034		KINGPIN TUBE .....	1
7	601920		THRUST WASHER .....	1
8	620380		KINGPIN, HEX HEAD FLANGED BOLT, M12 - 1.25 X 145 .....	1
9	600549		HEX NUT, FLANGED, M12 - 1.25 .....	1
10	609603		HUB ASSEMBLY (includes item 11).....	1
11	19862G1		WHEEL STUD.....	4
12	615109		LOCK NUT, PLS, M16 - 2.....	1
13	12091G2		SPINDLE CAP.....	1
14				
15				
16				
17	620672		SHOCK ABSORBER ASSEMBLY, PASSENGER SIDE (includes items 18 - 29).....	1
18	611271		SPINDLE ASSEMBLY, PASSENGER SIDE .....	1
19				
20				
21	603024		STRUT ASSEMBLY, PASSENGER SIDE .....	1
22	614034		KINGPIN TUBE .....	1
23	601920		THRUST WASHER .....	1
24	620380		KINGPIN, HEX HEAD FLANGED BOLT, M12 - 1.25 X 145 .....	1
25	600549		HEX NUT, FLANGED, M12 - 1.25 .....	1
26	609603		HUB ASSEMBLY (includes item 27).....	1
27	19862G1		WHEEL STUD.....	4
28	615109		LOCK NUT, PLS, M16 - 2.....	1
29	12091G2		SPINDLE CAP.....	1
30				

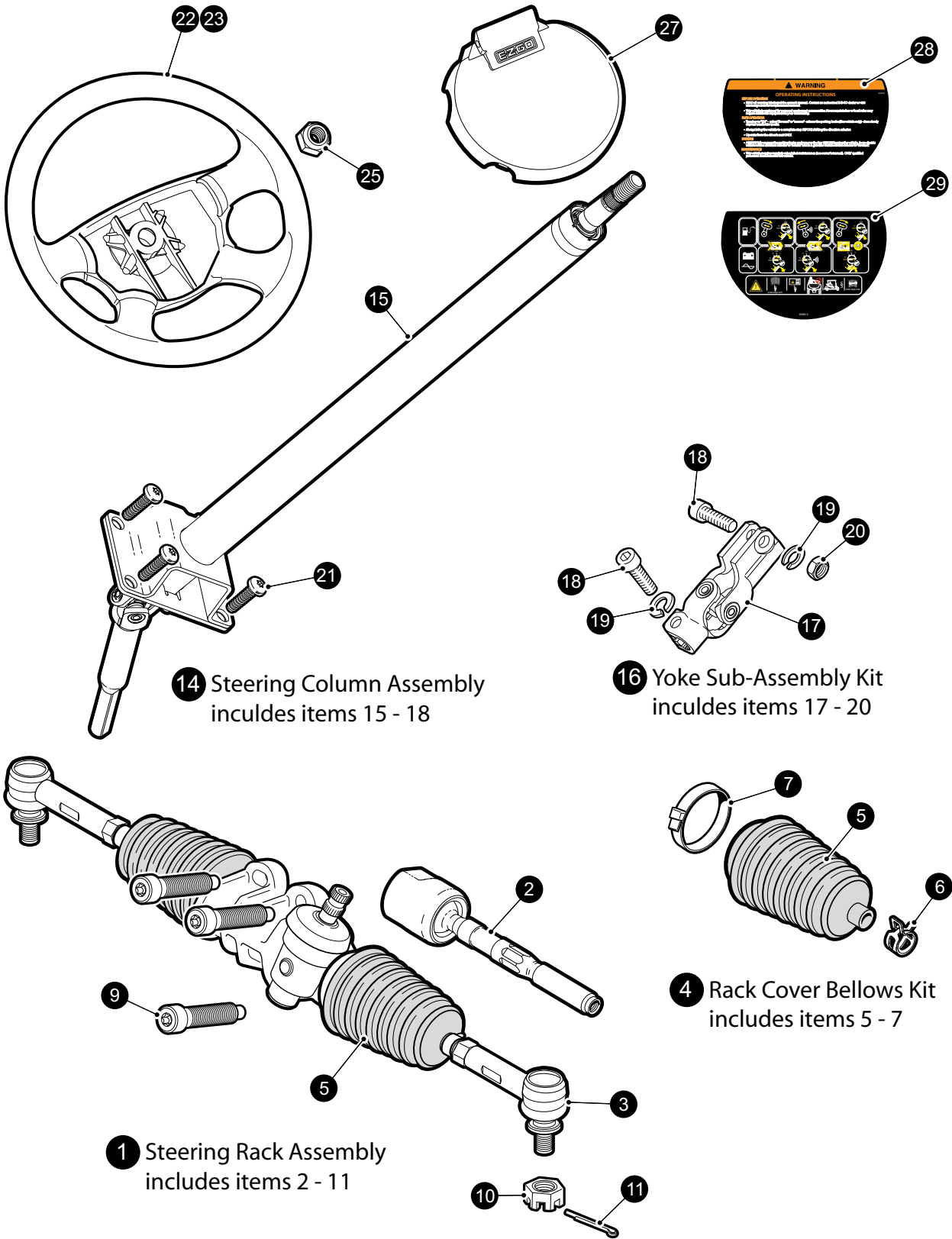
# FRONT SUSPENSION

When ordering parts, please specify the model and serial number of the product.

\* Indicates a component that is not available as an individual part.

\*\*\* Indicates consult Customer Service Department for additional information.

ITEM	PART NO.	1 2 3 4 5	DESCRIPTION	QTY.
31				
32	602415		HEX HEAD FLANGED BOLT, M10 - 1.5 X 80.....	2
33	600525		HEX NUT, FLANGED LOCK, M10 - 1.5 .....	2
34				
35				
36	608089		A-ARM ASSEMBLY .....	2
37	601340		A-ARM BUSHING.....	4
38	602085		A-ARM CARRIER TUBE .....	2
39	601754		HEX HEAD FLANGED BOLT, M10 - 1.5 X 90.....	2
40	600525		HEX NUT, FLANGED LOCK, M10 - 1.5 .....	6
41	602415		HEX HEAD FLANGED BOLT, M10 - 1.5 X 80.....	4
42	615738		SHOCK ABSORBER ASSEMBLY, DRIVER SIDE (includes items 2, 6 - 13, 43) (FOR MODELS MANUFACTURED AFTER SEPT 20, 2010) (OPTIONAL)....	1
43	614880		STRUT ASSEMBLY, DRIVER SIDE .....	1
44	615739		SHOCK ABSORBER ASSEMBLY, PASSENGER SIDE (includes items 18, 22 - 29, 45) (FOR MODELS MANUFACTURED AFTER SEPT 20, 2010) (OPTIONAL)....	1
45	614881		STRUT ASSEMBLY, PASSENGER SIDE .....	1



# FRONT SUSPENSION

When ordering parts, please specify the model and serial number of the product.

\* Indicates a component that is not available as an individual part.

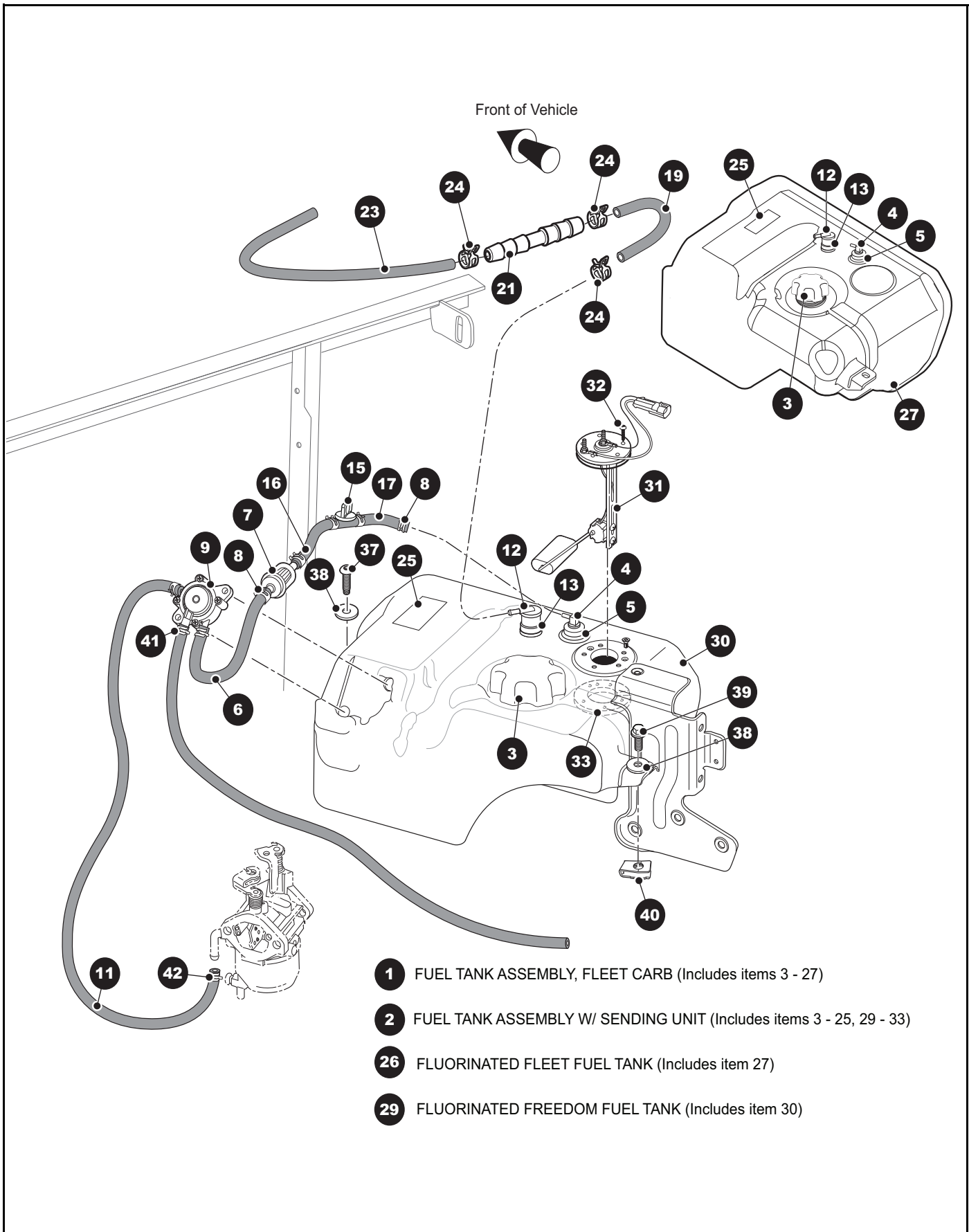
\*\*\* Indicates consult Customer Service Department for additional information.

ITEM	PART NO.	1	2	3	4	5	DESCRIPTION	QTY.
1	601500						STEERING RACK ASSEMBLY (includes items 2 - 4).....	1
2	603865						STEERING ROD.....	2
3	604614						ROD END.....	2
4	604615						RACK COVER BELLOWS KIT (includes items 5 - 7).....	2
5	608112						BELLOWS.....	1
6	608108						BELLOWS CLAMP (small end).....	1
7	608109						BELLOWS CLIP (large end).....	1
8								
9	602020						TORX SOCKET HEAD CAP SCREW, M10 - 1.5 X 80.....	3
10	608005						CASTLE HEX NUT, M12 - 1.25.....	2
11	10387-G2						COTTER PIN.....	2
12								
13								
14	600333						STEERING COLUMN ASSEMBLY (includes items 15 - 18).....	1
15	608117						STEERING COLUMN SUB ASSEMBLY.....	1
16	604613						YOKE SUB ASSEMBLY KIT (includes items 17 & 18).....	1
17	608114						STEERING YOKE.....	1
18	608653						SOCKET HEAD BOLT, M10 X 1.5 S 35.....	2
19	608654						LOCK WASHER, M10.5.....	2
20	608655						HEX NUT, M10 - 1.5.....	1
21	602572						PAN HEAD TORX SCREW, TAPTITE M10 - 1.5 X 25.....	4
22	602980						STEERING WHEEL, PREMIUM (Optional).....	1
23	602979						STEERING WHEEL, FLEET.....	1
24								
25	601709						LOCK NUT, M16 - 2.....	1
26								
27	607925						SCORECARD HOLDER ASSEMBLY.....	1
28	608529						STEERING WHEEL WARNING LABEL.....	1
29	608819						STEERING WHEEL WARNING LABEL, CE.....	1





# FUEL SYSTEM CARB



# FUEL SYSTEM CARB

When ordering parts, please specify the model and serial number of the product.

\* Indicates a component that is not available as an individual part.

\*\*\* Indicates consult Customer Service Department for additional information.

ITEM	PART NO.	1 2 3 4 5	DESCRIPTION	QTY.
1	615247		FUEL TANK ASSEMBLY, FLEET CARB (Includes items 3 - 26) .....	1
2	615248		FUEL TANK ASSEMBLY W/ SENDING UNIT (Includes items 3 - 25, 29 - 33) .....	1
3	617885		FUEL TANK CAP RATCHET .....	1
4	618347		SIPHON TUBE, SHORT .....	1
5	70988G01		SIPHON TUBE GROMMET .....	1
6	615121		FUEL HOSE, 254 mm .....	1
7	72084G01		FUEL LINE FILTER .....	1
8	18292G1		TUBING CLAMP .....	7
9	602061		FUEL PUMP .....	1
10				
11	604597		FUEL HOSE, 26.00" .....	1
12	606067		ROLLOVER VALVE .....	1
13	606068		ROLLOVER VALVE GROMMET .....	1
14				
15	611181		SHUT-OFF VALVE.....	1
16	615350		FUEL HOSE, 2.00" .....	1
17	615120		FUEL HOSE, 156 mm .....	1
18				
19	614417		HOSE, 3/16" I.D x 39.00" .....	1
20				
21	615346		HOSE REDUCER I.D 1/4 X 3/16.....	1
22				
23	615345		HOSE, 1/4" I.D X 10" .....	1
24	606963		HOSE TUBING CLAMP, 3/16" I.D .....	3
25	617886		FUEL TANK LABEL, EPA .....	1
26	615245		FLUORINATED FLEET FUEL TANK (Includes item 27) .....	1
27	613182		RXV FUEL TANK, (WITHOUT SENDING UNIT) .....	1
28				
29	615246		FLUORINATED FREEDOM FUEL TANK (Includes item 30) .....	1
30	612916		RXV FUEL TANK, (WITH SENDING UNIT).....	1

# FUEL SYSTEM CARB

When ordering parts, please specify the model and serial number of the product.

\* Indicates a component that is not available as an individual part.

\*\*\* Indicates consult Customer Service Department for additional information.

ITEM	PART NO.	1	2	3	4	5	DESCRIPTION	QTY.
31	604188						FUEL LEVEL SENDER.....	1
32	72230G01						FLAT HEAD SCREW .....	2
33	72229G01						FUEL LEVEL SENDER ADAPTER.....	1
34								
35								
36								
37	605957						SCREW M8 BOSS .....	1
38	604066						FLAT WASHER, M10, 10.5 X 30 .....	2
39	603799						HEXAGONAL HEAD BOLT, M10 - 1.5 X 25.....	1
40	603818						BARREL CLIP NUT, M10 - 1.5 .....	1
41	18292G1						TUBING CLAMP .....	1
42	11391G4						HOSE CLAMP,.25 .....	1





# REAR AXLE

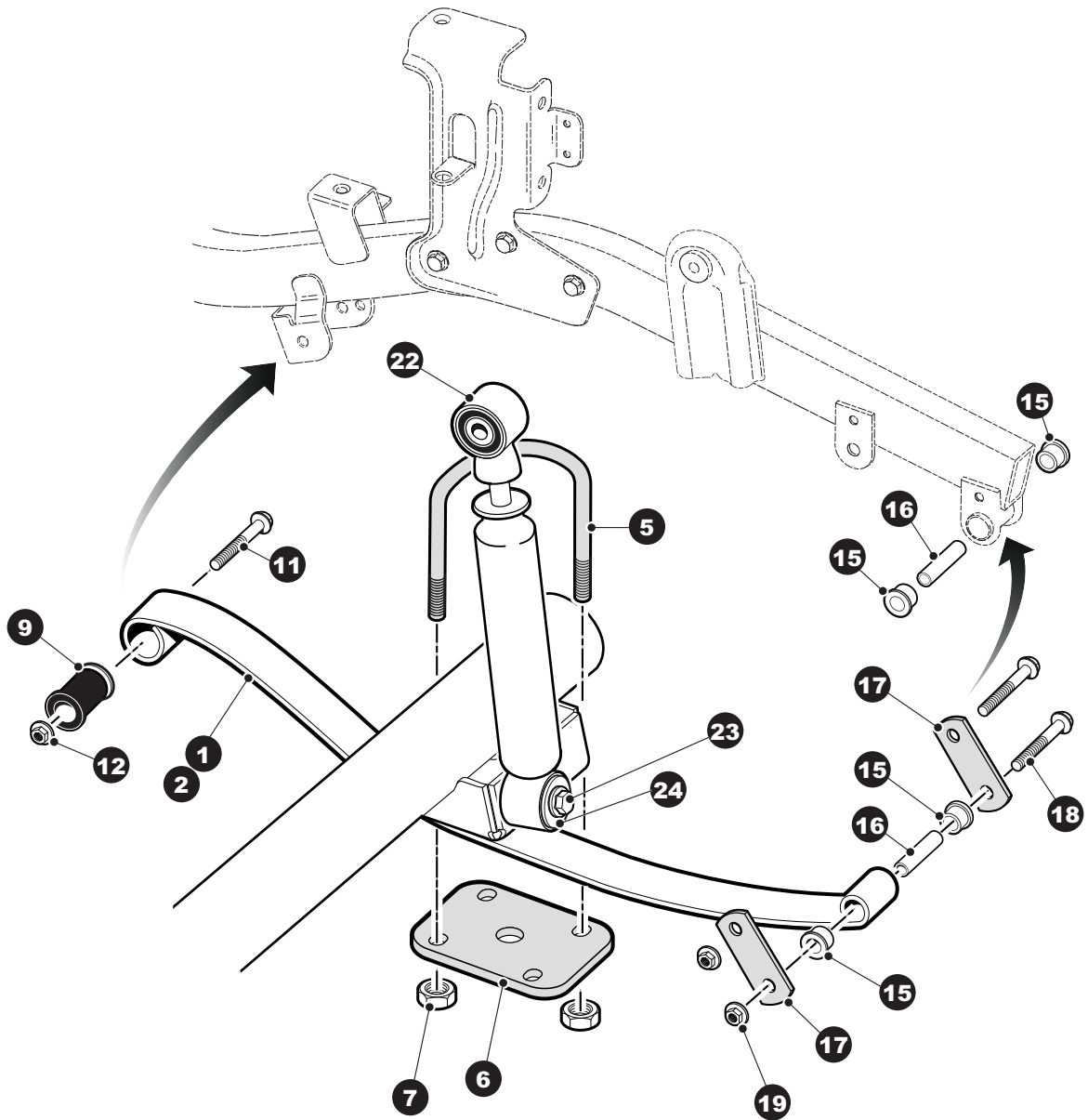
When ordering parts, please specify the model and serial number of the product.

\* Indicates a component that is not available as an individual part.

\*\*\* Indicates consult Customer Service Department for additional information.

ITEM	PART NO.	1 2 3 4 5	DESCRIPTION	QTY.
1	627892		REAR AXLE (INCLUDES ITEMS 4 - 18) .....	1
2				
3				
4	606403		SLOTTED NUT, M22 X 1.5.....	2
5	26770G01		OIL DRAIN PLUG.....	2
6	26771G01		GASKET, 14 MM .....	2
7				
8				
9				
10	72259G01		OIL SEAL 28 X 47 X 9 MM.....	3
11				
12	607969		AXLE TUBE (DRIVER SIDE) .....	1
13	607960		AXLE TUBE (PASSENGER SIDE).....	1
14	607945		AXLE SHAFT (DRIVER SIDE) .....	1
15	607946		AXLE SHAFT (PASSENGER SIDE).....	1
16	26814G01		RETAINING RING, 52 MM.....	2
17	26811G01		BALL BEARING.....	2
18	72260G01		FLANGED HEX HEAD BOLT, M10 X 1.5 X 23 LG .....	10

# REAR SUSPENSION





# REAR SUSPENSION

When ordering parts, please specify the model and serial number of the product.

\* Indicates a component that is not available as an individual part.

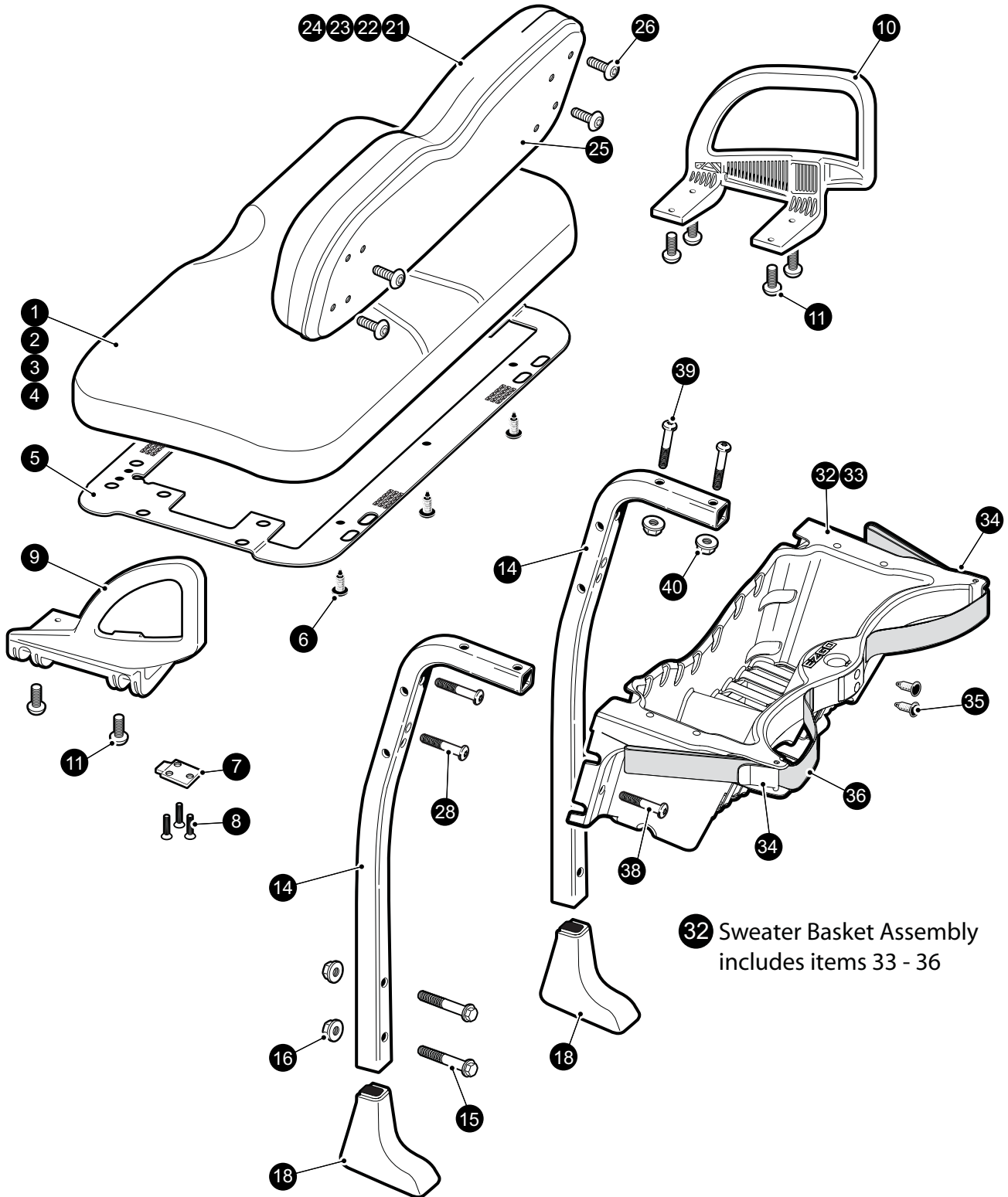
\*\*\* Indicates consult Customer Service Department for additional information.

ITEM	PART NO.	1 2 3 4 5	DESCRIPTION	QTY.
1	625709		TAPERED LEAF SPRING, MD .....	2
2	604494		HEAVY DUTY TAPERED LEAF SPRING .....	2
3				
4				
5	603415		U-BOLT .....	2
6	612765		LEAF SPRING PLATE .....	2
7	614974		LOCK NUT, M10 - 1.5 .....	4
8				
9	605684		FRONT SPRING BUSHING.....	2
10				
11	601754		FLANGED HEX HEAD BOLT, M10 - 1.5.....	2
12	614974		LOCK NUT, M10 - 1.5 .....	2
13				
14				
15	624030		FLANGED IGUS BUSHING (small) .....	8
16	620161		SPLIT STEEL SPACER .....	4
17	603648		SHACKLE PLATE .....	4
18	601754		FLANGED HEX HEAD BOLT, M10 - 1.5 X 100 .....	4
19	614974		LOCK NUT, M10 - 1.5 .....	4
20				
21				
22	611724		SHOCK ABSORBER .....	2
23	601414		FLANGED HEX HEAD BOLT, M10 - 1.5 X 65 .....	4
24	604066		FLAT WASHER, 10.5 X 30 X 2.5 .....	4

# SEATING & BASKET

1 Seat Bottom Assembly includes items 2 - 11

21 Seat Back Assembly includes items 22 - 26



32 Sweater Basket Assembly includes items 33 - 36

# SEATING & BASKET

When ordering parts, please specify the model and serial number of the product.

\* Indicates a component that is not available as an individual part.

\*\*\* Indicates consult Customer Service Department for additional information.

ITEM	PART NO.	1 2 3 4 5	DESCRIPTION	QTY.
1	6XXXXX		SEAT BOTTOM ASSEMBLY (select color below), (includes items 2 - 7) ..... 605551 .... STONE BEIGE SEAT BOTTOM 608013 .... OYSTER SEAT BOTTOM	1
2	6XXXXX		SEAT BOTTOM VINYL COVER (select color below) ..... 600221 .... STONE BEIGE SEAT BOTTOM VINYL COVER 608007 .... OYSTER SEAT BOTTOM VINYL COVER	1
3	600503		SEAT BOTTOM FOAM.....	1
4	600502		SEAT BOTTOM WOODEN BASE ASSEMBLY.....	1
5	602551		SEAT BOTTOM COVER PLATE .....	1
6	16816-G2		CHRISTMAS TREE RIVET .....	4
7	71610-G01		SEAT HINGE .....	2
8	00720-G08		FLAT HEAD PHILLIPS TAPPING SCREW, #12 - 14 X 1.00 .....	6
9	607532		HIP RESTRAINT, DRIVER SIDE.....	1
10	607653		HIP RESTRAINT, PASSENGER SIDE .....	1
11	615417		BUTTON HEAD TORX BOLT, M10 - 1.5 X 25.....	8
12				
13				
14	602413		SEAT BACK SUPPORT STRUT .....	2
15	603800		FLANGED HEX HEAD BOLT, M10 - 1.5 X 50 .....	4
16	600525		LOCK NUT, M10 - 1.5 .....	4
17				
18	602112		SEAT BACK SUPPORT STRUT COVER.....	2
19				
20				
21	6XXXXX		SEAT BACK ASSEMBLY (select color below), (includes items 22 -26 )..... 605548 .... STONE BEIGE SEAT BACK ASSEMBLY 608012 .... OYSTER SEAT BACK ASSEMBLY	1
22	6XXXXX		SEAT BACK VINYL COVER (select color below)..... 605537 .... STONE BEIGE SEAT BACK VINYL COVER 608006 .... OYSTER SEAT BACK VINYL COVER	1
23	71754-G01		SEAT BACK FOAM .....	1
24	605550		SEAT BACK WOODEN BASE ASSEMBLY .....	1

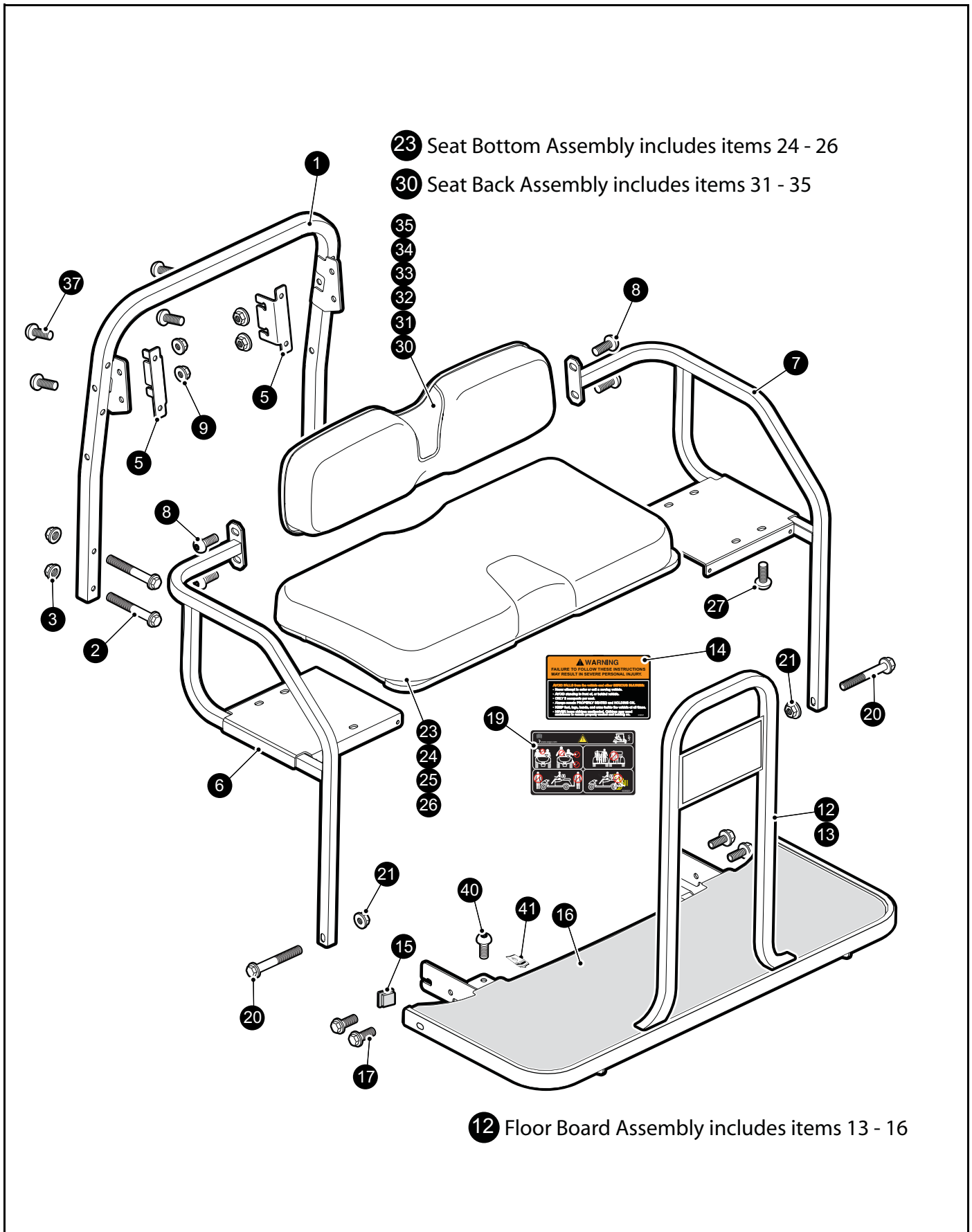
# SEATING & BASKET

When ordering parts, please specify the model and serial number of the product.

\* Indicates a component that is not available as an individual part.

\*\*\* Indicates consult Customer Service Department for additional information.

ITEM	PART NO.	1	2	3	4	5	DESCRIPTION	QTY.
25	605529						SEAT BACK BLACK PLASTIC COVER.....	1
26	603000						BUTTON HEAD TORX SCREW, PLASTITE THREAD FORMING, M6 - 1	4
27								
28	600527						BUTTON HEAD TORX BOLT, M10 - 1.5 X 60.....	4
29								
30								
31								
32	602742						SWEATER BASKET ASSEMBLY (includes items 33 - 36) .....	1
33	610607						SWEATER BASKET .....	1
34	608051						BAG STRAP CLAMP .....	2
35	16816-G1						CHRISTMAS TREE RIVET.....	2
36	604102						BAG STRAP.....	1
37								
38	600530						BUTTON HEAD TORX BOLT, M10 - 1.5 X 25.....	2
39	600527						BUTTON HEAD TORX BOLT, M10 - 1.5 X 60.....	4
40	600525						LOCK NUT, M10 - 1.5.....	4



# SEATING & BASKET

When ordering parts, please specify the model and serial number of the product.

\* Indicates a component that is not available as an individual part.

\*\*\* Indicates consult Customer Service Department for additional information.

ITEM	PART NO.	1 2 3 4 5	DESCRIPTION	QTY.
1	604473		SEAT BACK SUPPORT, 2 + 2 SEAT .....	1
2	603800		HEX HEAD FLANGED BOLT, M10 - 1.5 X 50.....	4
3	600525		LOCK NUT, M10 - 1.5.....	4
4				
5	606286		REAR SEAT BACK MOUNTING BRACKET .....	2
6	604723		ARM REST, DRIVER SIDE .....	1
7	604725		ARM REST, PASSENGER SIDE .....	1
8	600530		BUTTON HEAD TORX BOLT, M10 - 1.5 X 25.....	4
9	600525		LOCK NUT, M10 - 1.5.....	4
10				
11				
12	604457		REAR FACING SEAT FLOORBOARD ASSEMBLY (includes items 7 - 10) ...	1
13	604398		FOOTREST WELDMENT .....	1
14	74074-G01		WARNING DECAL .....	1
15	19853-G1		END CAP .....	2
16	604407		RUBBER FLOORMAT .....	1
17	603799		HEX HEAD FLANGED BOLT, M10 - 1.5 X 25.....	4
18				
19	608820		2 + 2 WARNING DECAL, CE .....	1
20	602415		HEX HEAD FLANGED BOLT, M10 - 1.5 X 80.....	2
21	600525		LOCK NUT, M10 - 1.5.....	2
22				
23	6XXXXX		SEAT BOTTOM ASSEMBLY (select color below) (includes items 24 - 26)..... 605501..... STONE BEIGE SEAT BOTTOM ASSEMBLY 608010..... OYSTER SEAT BOTTOM ASSEMBLY	1
24	6XXXXX		SEAT BOTTOM VINYL COVER (select color below) .....	1
			600221..... STONE BEIGE SEAT BOTTOM VINYL COVER 608007..... OYSTER SEAT BOTTOM VINYL COVER	
25	605503		SEAT BOTTOM FOAM .....	1
26	605502		SEAT BOTTOM WOODEN BASE ASSEMBLY .....	1
27	603799		HEX HEAD FLANGED BOLT, M10 - 1.5 X 25.....	4
28				

# SEATING & BASKET

When ordering parts, please specify the model and serial number of the product.

\* Indicates a component that is not available as an individual part.

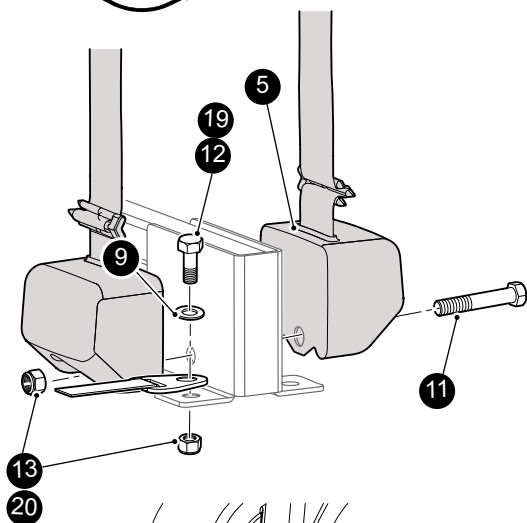
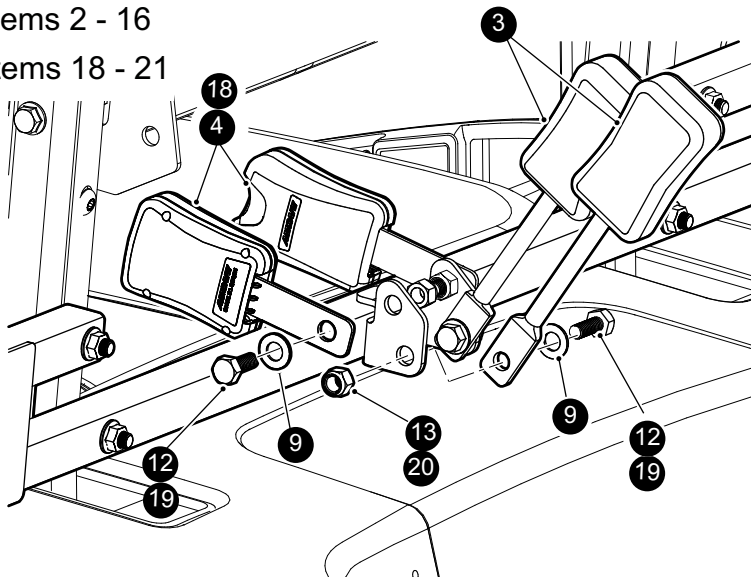
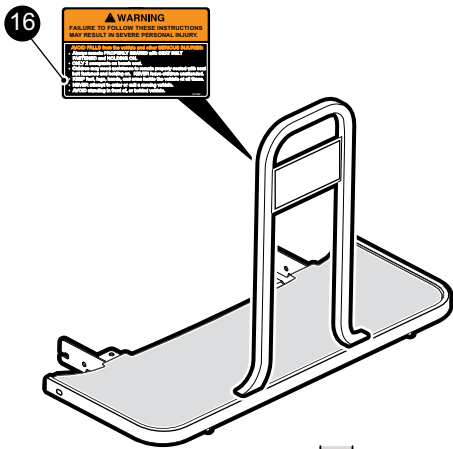
\*\*\* Indicates consult Customer Service Department for additional information.

ITEM	PART NO.	1 2 3 4 5	DESCRIPTION	QTY.
29				
30	6XXXXX		SEAT BACK ASSEMBLY (select color below) ..... 605548 .... STONE BEIGE SEAT BACK ASSEMBLY 608012 .... OYSTER SEAT BACK ASSEMBLY	1
31	6XXXXX		SEAT BACK VINYL COVER (select color below)..... 605537 .... STONE BEIGE SEAT BACK VINYL COVER 608006 .... OYSTER SEAT BACK VINYL COVER	1
32	71754-G01		SEAT BACK FOAM .....	1
33	605550		SEAT BACK WOODEN BASE ASSEMBLY .....	1
34	605529		SEAT BACK BLACK PLASTIC COVER .....	1
35	603000		BUTTON HEAD TORX SCREW, PLASTITE THREAD FORMING, M6 - 1	4
36				
37	600530		BUTTON HEAD TORX BOLT, M101 - 1.5 X 25 .....	2
38				
39				
40	600530		BUTTON HEAD TORX BOLT, M10 - 1.5 X 25 .....	2
41	603818		BARREL CLIP, M10 - 1.5 .....	2

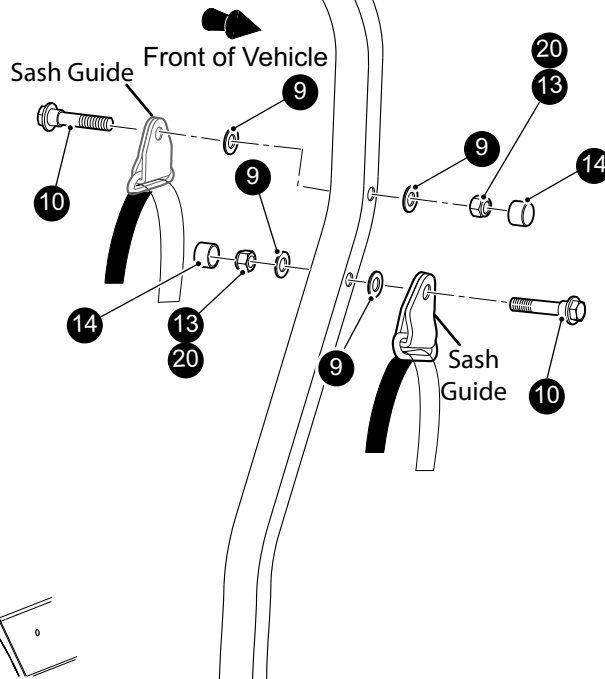
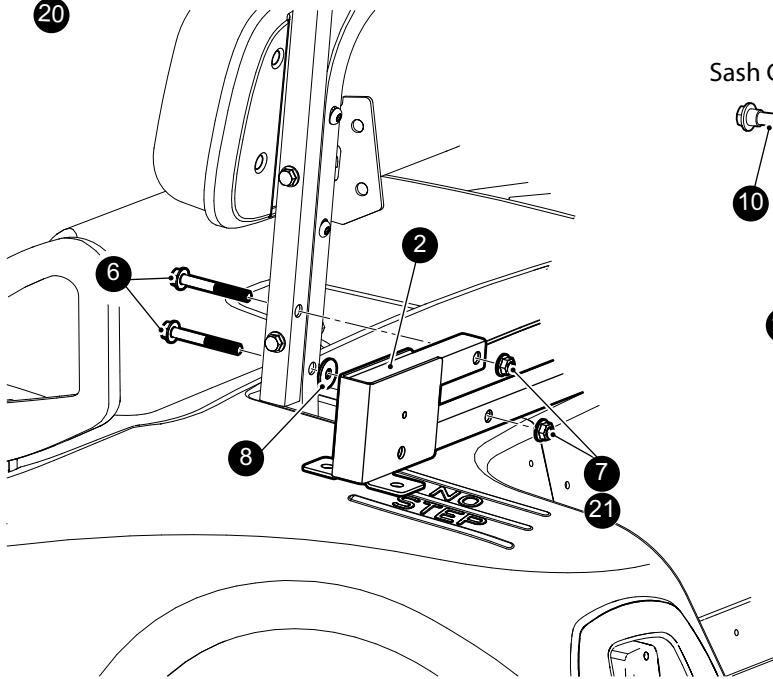
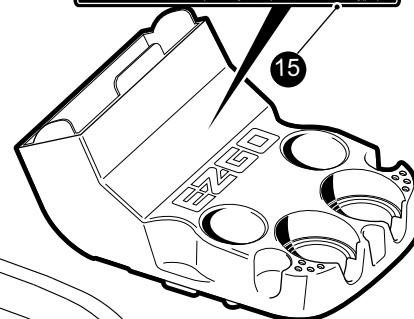
# SEATING & BASKET

1 Seat belt assembly kit includes items 2 - 16

17 Seat belt assembly kit includes items 18 - 21



**WARNING** Failure to follow these instructions can result in DEATH or SERIOUS INJURY.





# SEATING & BASKET

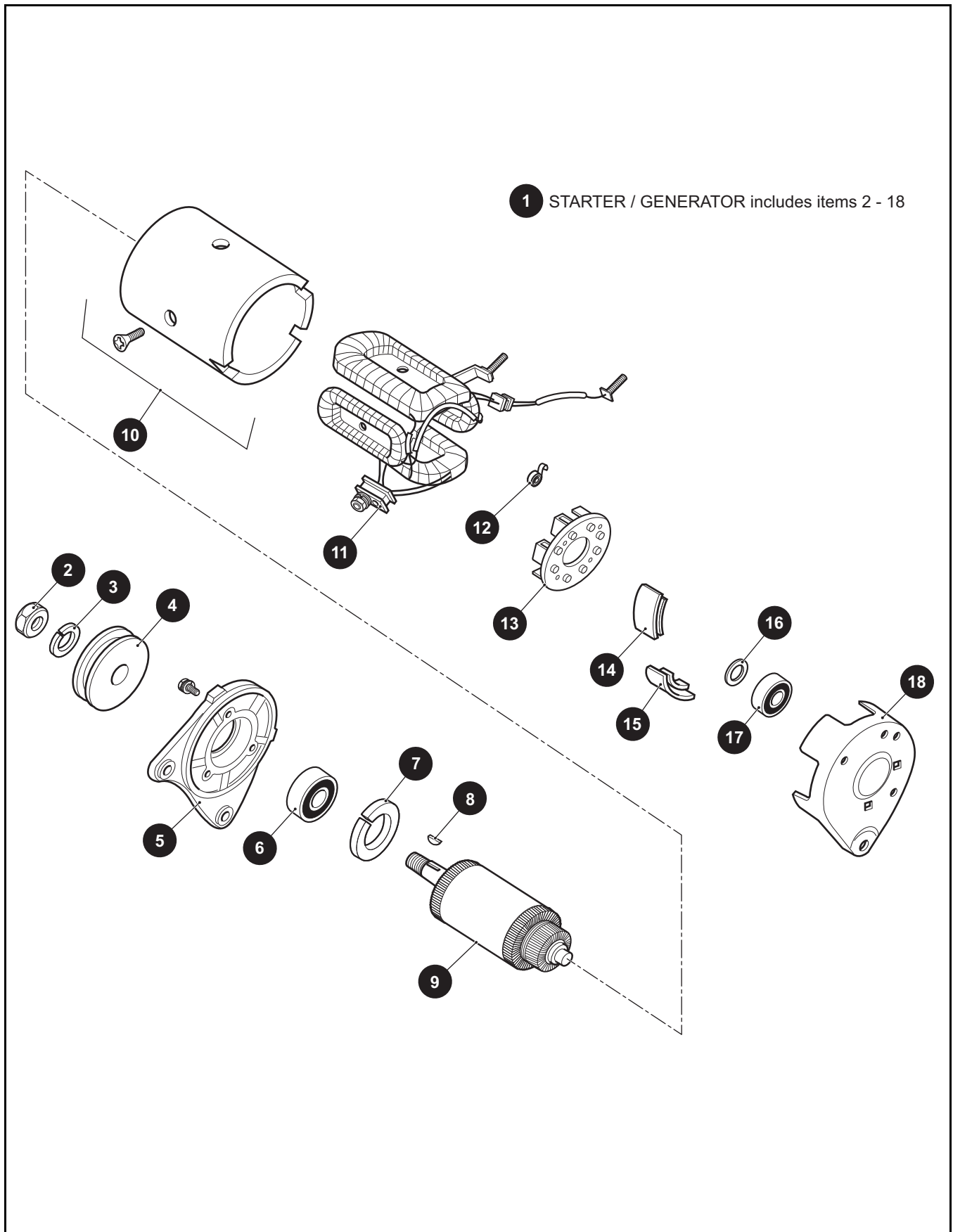
When ordering parts, please specify the model and serial number of the product.

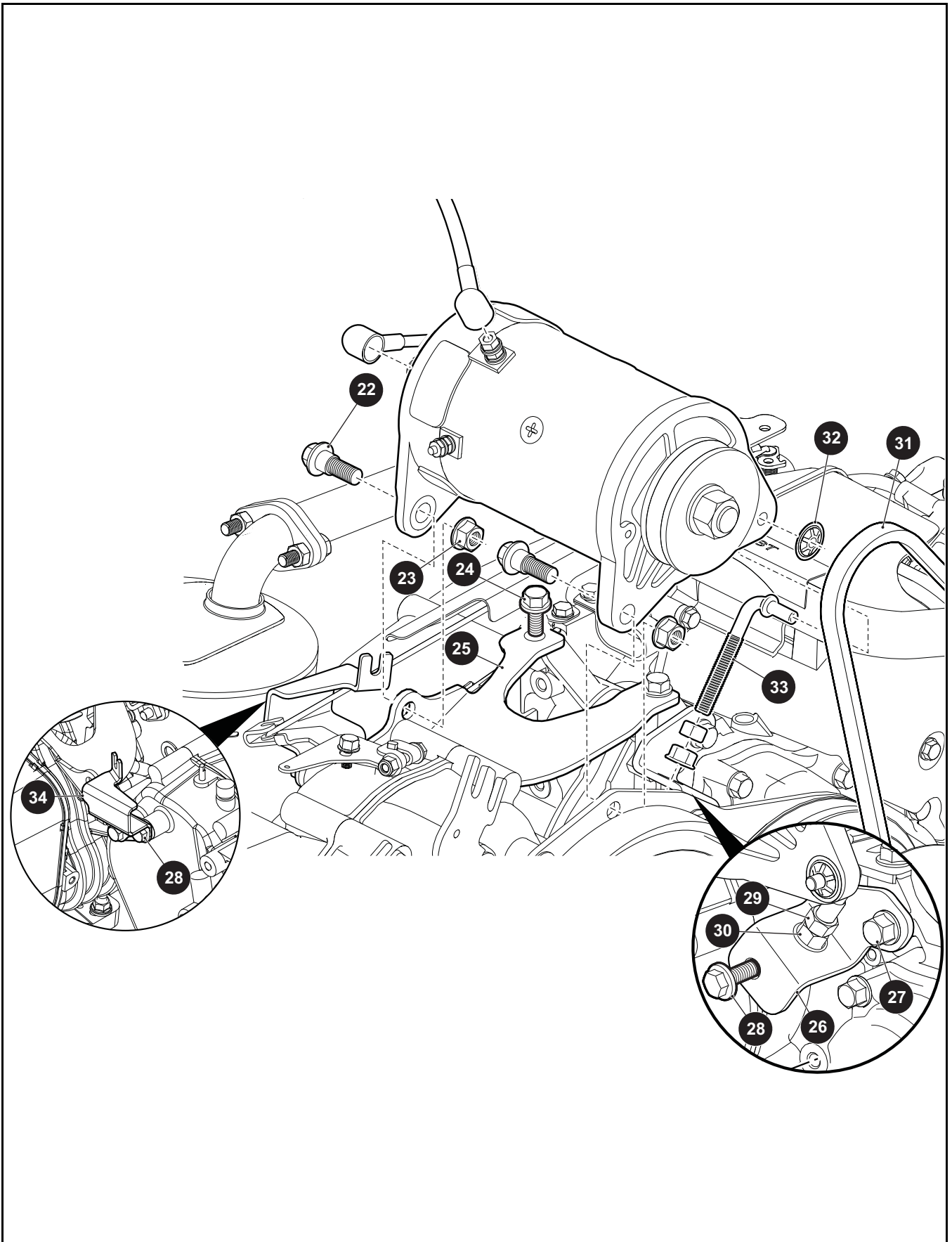
\* Indicates a component that is not available as an individual part.

\*\*\* Indicates consult Customer Service Department for additional information.

ITEM	PART NO.	1 2 3 4 5	DESCRIPTION	QTY.
1	620704		SEAT BELT ASSEMBLY KIT (includes items 2 - 16) .....	1
2	610739		SEAT BELT CROSS BAR.....	1
3	609031		SEAT BELT BUCKLE, 9" .....	2
4	609854		SEAT BELT BUCKLE, 6" .....	2
5	611254		SEAT BELT RETRACTOR ASSEMBLY .....	4
6	602415		FLANGED HEX HEAD BOLT, M10 - 1.5 X 80 MM .....	4
7	600525		FLANGED LOCK NUT, M10 - 1.5.....	4
8	604066		FLAT WASHER, M10 .....	4
9	00560G2		FLAT WASHER, 7/16 .....	16
10	620770		HEX HEAD SHOULDER BOLT, 7/16 - 20 X 2.28 .....	4
11	612346		HEX HEAD BOLT 7/16 - 20 X 2.50.....	2
12	610753		HEX HEAD CAP SCREW, 7/16 - 20 X 1.00 .....	8
13	00734G3		LOCK NUT, 7/16 - 20.....	14
14	605686		VINYL CAP .....	4
15	612194		CUP HOLDER DECAL .....	1
16	611362		REAR FACING SEAT DECAL .....	1
17	613474		SEAT BELT ASSEMBLY KIT (includes items 18 - 21) .....	1
18	609854		SEAT BELT BUCKLE, 6" .....	2
19	610753		HEX HEAD CAP SCREW, 7/16 - 20 X 1.00 .....	8
20	00734-G3		LOCK NUT, 7/16 - 20.....	18
21	600525		FLANGED LOCK NUT, M10 - 1.5.....	4

# STARTER / GENERATOR





# STARTER / GENERATOR

Where applicable, THE USE OF NON UL PARTS WILL VOID ANY UL LISTING.

When ordering parts, please specify the model and serial number of the product.

\* Indicates a component that is not available as an individual part.

G\*\* Indicates consult Customer Service Department for additional information.

ITEM	PART NO.	1 2 3 4 5	DESCRIPTION	QTY.
1	617120		STARTER / GENERATOR (INCLUDES ITEMS 2 - 18).....	1
2	612029		NUT.....	1
3	612030		LOCKWASHER .....	1
4	617172		PULLEY .....	1
5	612032		FRONT COVER.....	1
6	612033		BEARING.....	1
7	612034		RETAINING RING.....	1
8	612035		KEY.....	1
9	612036		ARMATURE ASSEMBLY .....	1
10	612037		FRAME & FIELD ASSEMBLY .....	1
11	612038		BRUSH LEAD & TERMINAL PKG.....	1
12	612039		BRUSH SPRING.....	4
13	612040		BRUSH BOX ASSEMBLY.....	1
14	612041		BRUSH 1 COVER.....	3
15	612042		BRUSH 2 COVER.....	2
16	612043		WAVY WASHER .....	1
17	612044		BEARING.....	1
18	612045		REAR COVER .....	1
19				
20				
21				
22	606235		BOLT, HXFL SHLDR - M10 - 1.25 X 20.....	2
23	606279		NUT, M10 - 1.25 .....	2
24	606261		BOLT, M8 - 1.25 X 20 .....	3
25	602141		STARTER / GENERATOR BRACKET.....	1
26	602145		TENSIONER BRACKET .....	1
27	606261		BOLT, M8 - 1.25 X 20 .....	1
28	606256		BOLT, M10 - 1.25 X 25 .....	9
29	606255		NUT, M10 - 1.25 .....	1
30	606274		NUT, M10 - 1.25 .....	1

# STARTER / GENERATOR

Where applicable, THE USE OF NON UL PARTS WILL VOID ANY UL LISTING.  
 When ordering parts, please specify the model and serial number of the product.  
 \* Indicates a component that is not available as an individual part.  
 G\*\* Indicates consult Customer Service Department for additional information.

ITEM	PART NO.	1 2 3 4 5	DESCRIPTION	QTY.
31	630587		STARTER / GENERATOR BELT .....	1
32	12064G6		PUSH NUT, 5/16" .....	1
33	629763		TENSIONER BOLT .....	1
34	603884		CABLE GUIDE BRACKET .....	1



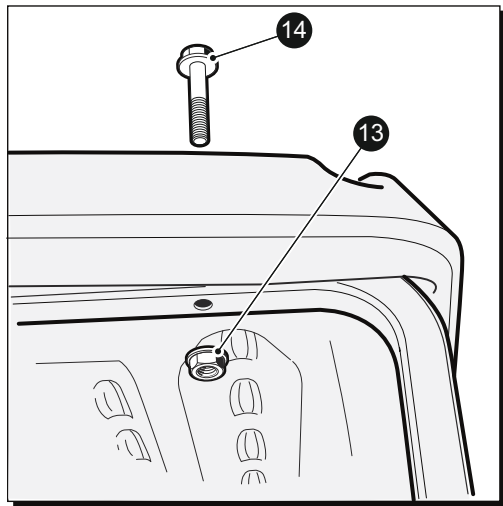
When ordering parts, please specify the model and serial number of the product.

\* Indicates a component that is not available as an individual part.

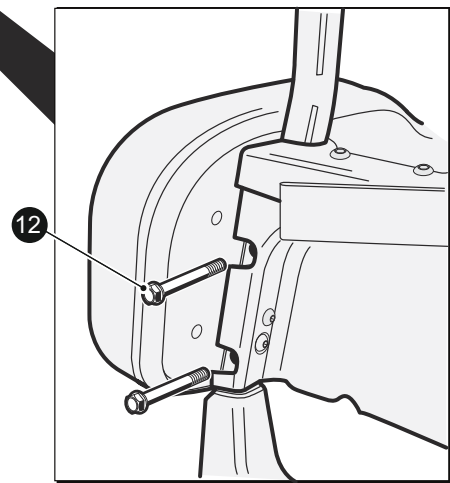
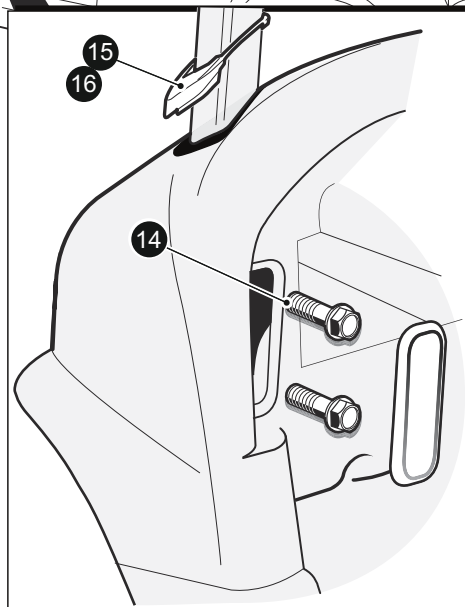
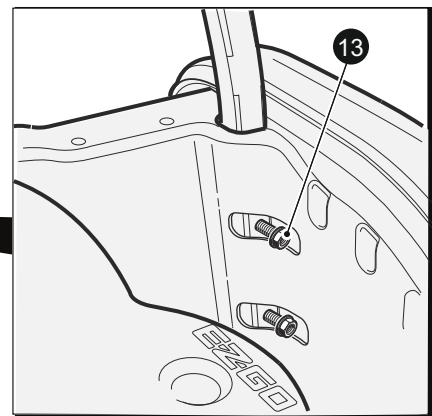
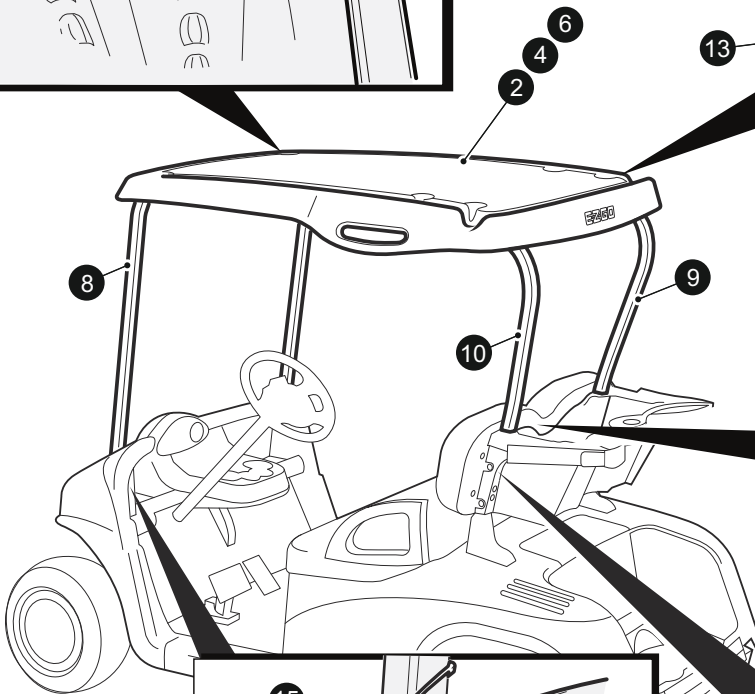
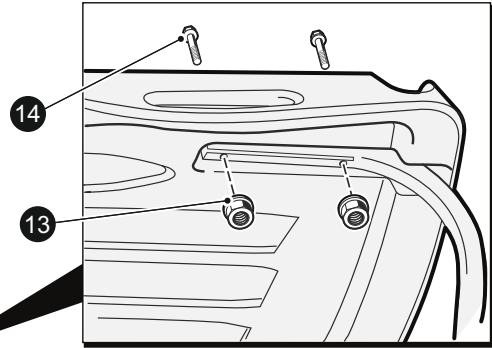
\*\*\* Indicates consult Customer Service Department for additional information.

ITEM	PART NO.	1 2 3 4 5	DESCRIPTION	QTY.
1	603384		SOCKET HEAD CAP SCREW, M12 - 1.25 X 100 .....	1
2	603182		FLAT WASHER, M12, 13.5 X 32 X 3 .....	1
3				
4	612392		PERMANENT TOW BAR (towing vehicle), (includes items 5 - 23) .....	1
5	613224		TOW BAR .....	1
6	617752		TIEROD ASSEMBLY .....	1
7	00660G7		FLAT WASHER, .....	2
8	613215		TOWBAR PULL HANDLE .....	1
9	617787		FLANGED LOCK NUT, M12 - 1.75.....	1
10	75065G01		COMPRESSION SPRING.....	1
11	614893		FRONT PIN GUIDEZ17.....	1
12	75360G01		PIVOT PIN.....	1
13	608793		SPIROL PIN 3MM X 22MM .....	1
14	75340G01		DELFIN WASHER.....	2
15	602988		TOW BAR SWIVEL .....	1
16	800178		SCREW, 8-32 X 1/2.....	1
17	624868		TOW BAR WARNING DECAL.....	1
18	614454		TIEROD HOLDER.....	1
19	606265		FLANGED HEX BOLT, M6 -1 X12 .....	1
20	614865		RETAINER RELEASE PIN.....	1
21	602990		TOW BAR PIVOT.....	1
22	603182		FLAT WASHER, M12, 13.5 X 32 X 3 .....	1
23	600549		FLANGED HEX NUT, M12 - 1.75.....	1
24	601414		FLANGED HEX BOLT, M10 -1.5 X65 .....	1
25	625441		END MOUNT ASSEMBLY .....	1
26	625066		TOW BALL ASSEMBLY .....	1
27	600525		FLANGED HEX NUT, M10 - 1.5.....	2
28	614714		TIE ROD SPACER .....	1
29	615435		SPACER, TOWBAR MOUNT.....	2

# WEATHER PROTECTION



- 1 Stone Beige Sun Top Kit includes items 2 & 7
- 3 Oyster Sun Top Kit includes items 4 & 7
- 5 Black Sun Top Kit includes items 6 & 7
- 7 Strut Kit includes items 8 - 11
- 11 Sun Top Hardware Kit includes items 12 - 16





# WEATHER PROTECTION

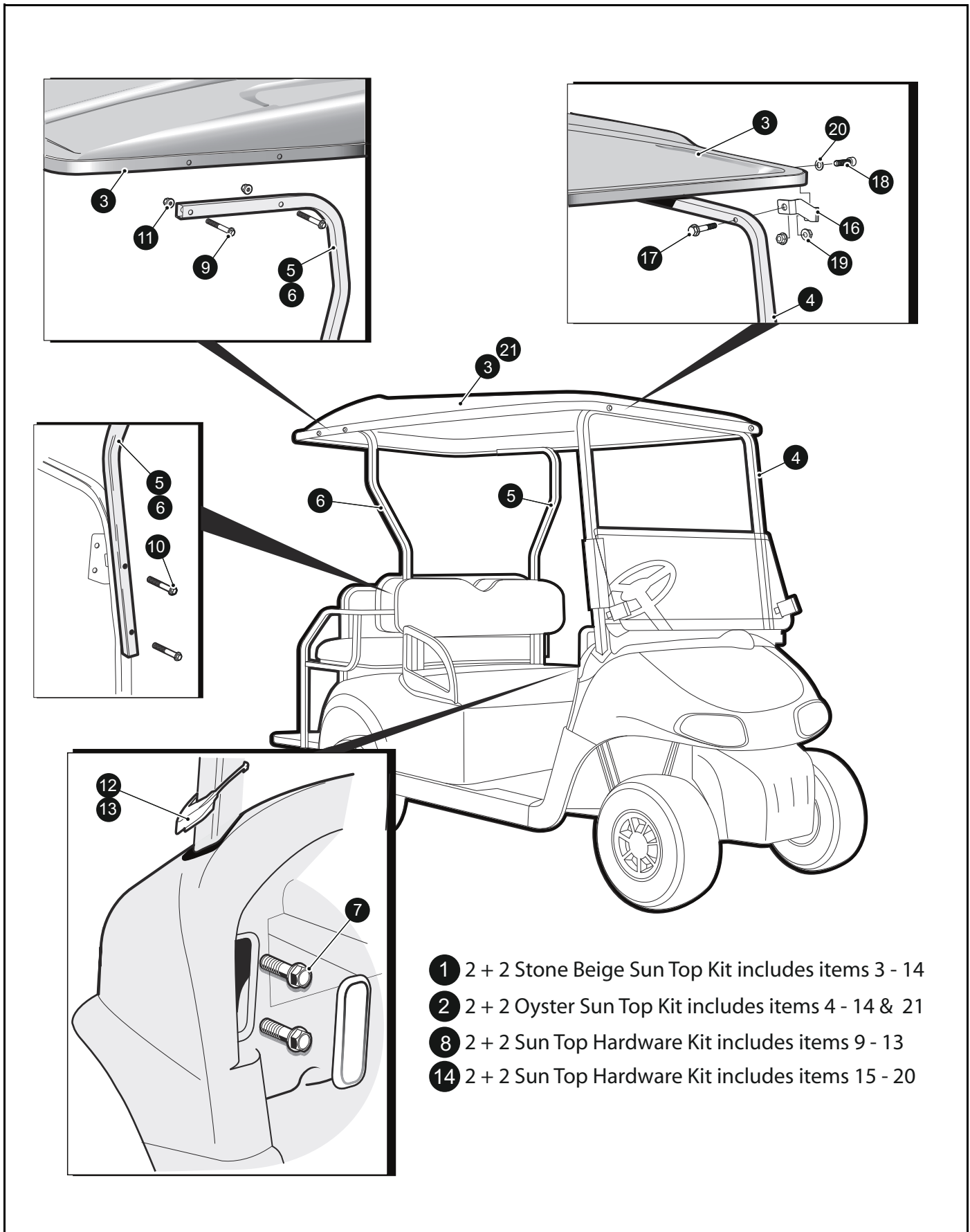
When ordering parts, please specify the model and serial number of the product.

\* Indicates a component that is not available as an individual part.

\*\*\* Indicates consult Customer Service Department for additional information.

ITEM	PART NO.	1 2 3 4 5	DESCRIPTION	QTY.
1	606354		SUN TOP KIT, STONE BEIGE (includes items 2 & 7) .....	1
2	608198		SUN TOP, STONE BEIGE .....	1
3	608695		SUN TOP KIT, OYSTER (includes items 4 & 7).....	1
4	608015		SUN TOP, OYSTER .....	1
5	613233		SUN TOP KIT, BLACK (includes item 6 & 7) .....	1
6	613227		SUN TOP, BLACK	
7	608677		SUN TOP STRUT KIT (includes items 8 - 11).....	1
8	603203		FRONT STRUT .....	1
9	614310		REAR STRUT, PASSENGER SIDE .....	1
10	614309		REAR STRUT, DRIVER SIDE.....	1
11	607013		SUN TOP HARDWARE KIT (includes items 12 - 16) .....	1
12	602415		HEX HEAD FLANGED BOLT, M10 - 1.5 X 80 .....	4
13	600525		FLANGED LOCK NUT, M10 - 1.5.....	10
14	603800		HEX HEAD FLANGED BOLT, M10 - 1.5 X 50 .....	10
15	602770		GROMMET, DRIVER SIDE .....	1
16	602992		GROMMET, PASSENGER SIDE .....	1

# WEATHER PROTECTION



- 1 2 + 2 Stone Beige Sun Top Kit includes items 3 - 14
- 2 2 + 2 Oyster Sun Top Kit includes items 4 - 14 & 21
- 8 2 + 2 Sun Top Hardware Kit includes items 9 - 13
- 14 2 + 2 Sun Top Hardware Kit includes items 15 - 20

# WEATHER PROTECTION

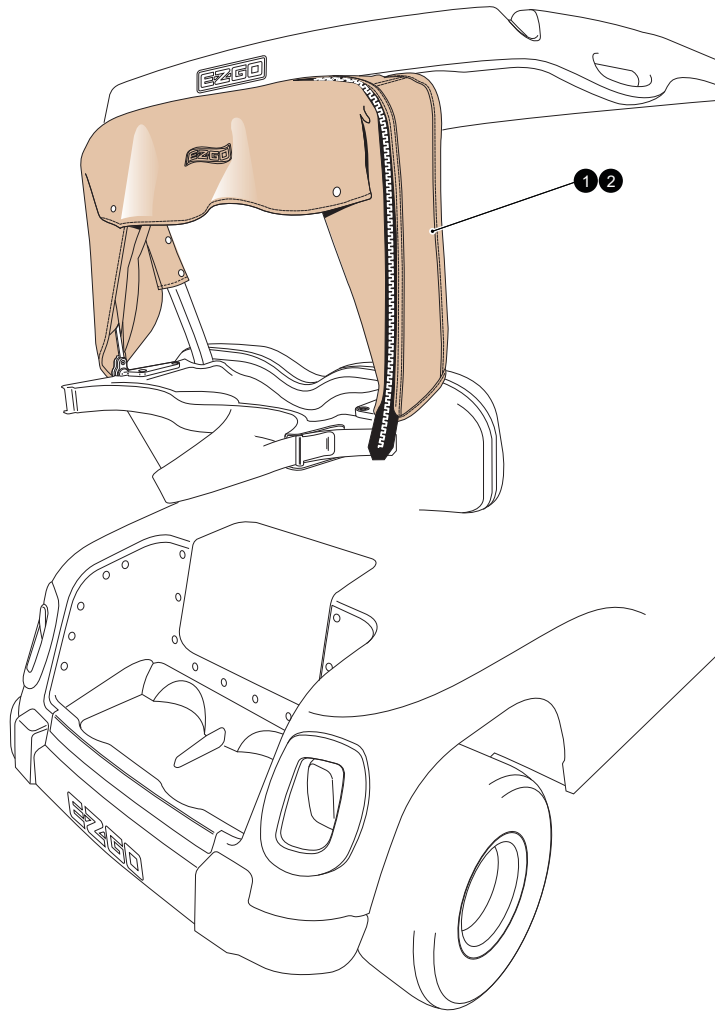
When ordering parts, please specify the model and serial number of the product.

\* Indicates a component that is not available as an individual part.

\*\*\* Indicates consult Customer Service Department for additional information.

ITEM	PART NO.	1 2 3 4 5	DESCRIPTION	QTY.
1	610461		2 + 2 SUN TOP KIT, STONE BEIGE (includes items 3 - 14) .....	1
2	610462		2 + 2 SUN TOP KIT, OYSTER (includes items 4 -14 & 21)	
3	610434		2 + 2 SUN TOP, STONE BEIGE .....	1
4	603203		FRONT STRUT .....	1
5	604423		2 + 2 REAR STRUT, DRIVER SIDE .....	1
6	604424		2 + 2 REAR STRUT, PASSENGER SIDE .....	1
7	603800		HEX HEAD FLANGED BOLT, M10 - 1.5 X 50 .....	1
8	610468		2 + 2 SUN TOP HARDWARE KIT (includes items 9 - 13).....	1
9	601414		HEX HEAD FLANGED BOLT, M10 - 1.5 X 65 .....	4
10	602415		HEX HEAD FLANGED BOLT, M10 - 1.5 X 80 .....	4
11	600525		FLANGED LOCK NUT, M10 - 1.5 .....	4
12	602770		STRUT GROMMET, DRIVER SIDE .....	1
13	602992		STRUT GROMMET, PASSENGER SIDE .....	1
14	610472		2 + 2 SUN TOP HARDWARE KIT (includes items 15-20).....	1
15	610424		BRACKET, DRIVER SIDE (NOT SHOWN).....	1
16	610425		BRACKET, PASSENGER SIDE .....	1
17	603800		HEX HEAD FLANGED BOLT, M10 - 1.5 X 50 .....	2
18	608653		SOCKET HEAD SCREW, M10 - 1.5 X 35.....	2
19	600525		FLANGED LOCK NUT, M10 - 1.5 .....	4
20	00560G1		FLAT WASHER .....	2
21	610433		2 + 2 SUN TOP, OYSTER .....	1

# WEATHER PROTECTION



# WEATHER PROTECTION

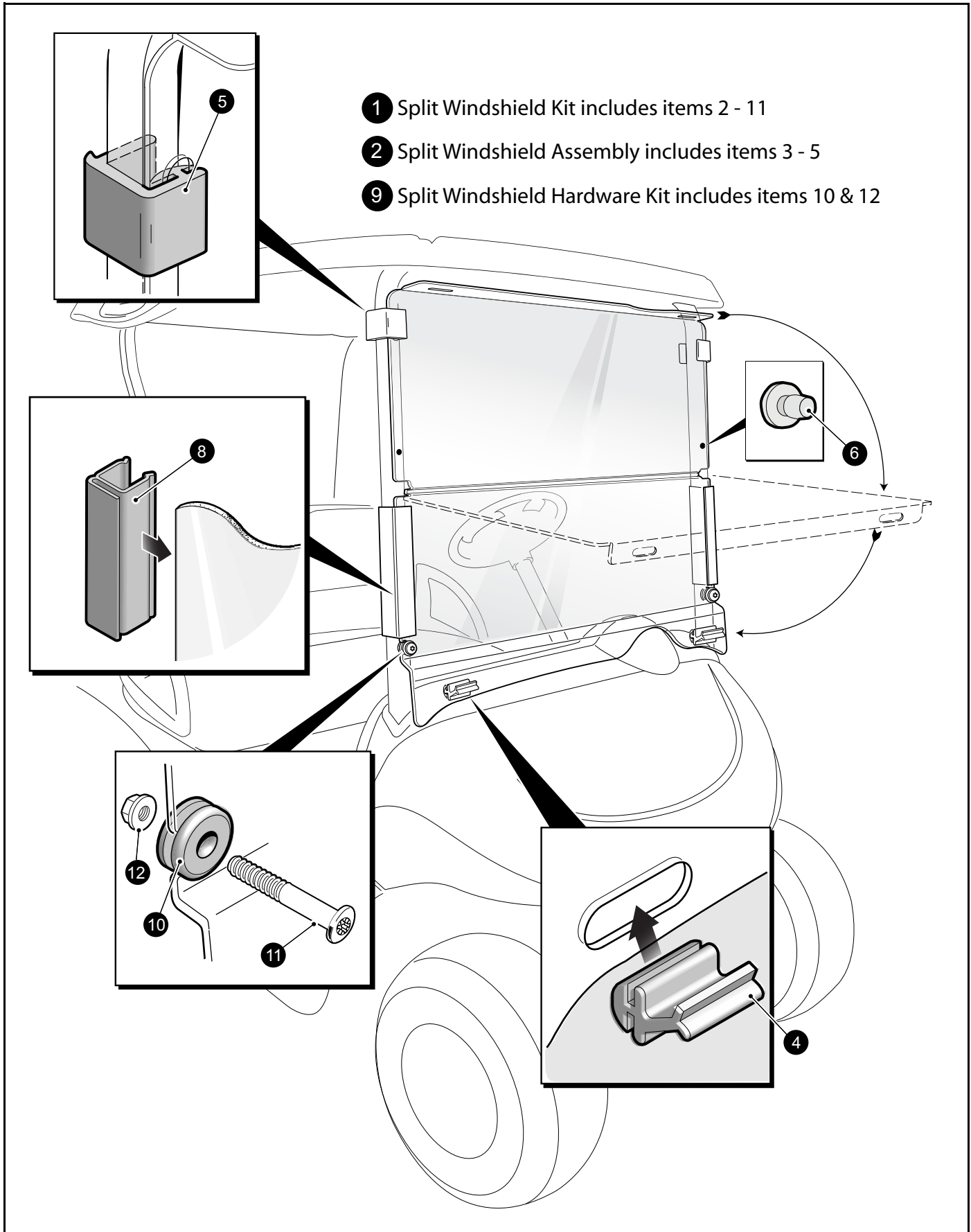
When ordering parts, please specify the model and serial number of the product.

\* Indicates a component that is not available as an individual part.

\*\*\* Indicates consult Customer Service Department for additional information.

ITEM	PART NO.	1 2 3 4 5	DESCRIPTION	QTY.
1	604666		BAG COVER KIT,STONE BEIGE .....	1
2	620604		BAG COVER KIT, OYSTER.....	1

# WEATHER PROTECTION



- 1 Split Windshield Kit includes items 2 - 11
- 2 Split Windshield Assembly includes items 3 - 5
- 9 Split Windshield Hardware Kit includes items 10 & 12

# WEATHER PROTECTION

When ordering parts, please specify the model and serial number of the product.

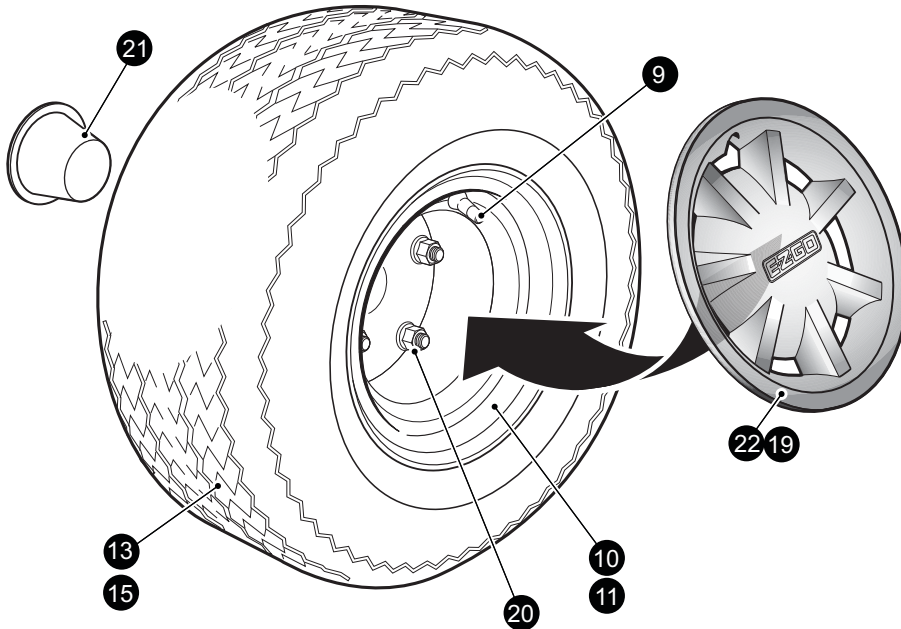
\* Indicates a component that is not available as an individual part.

\*\*\* Indicates consult Customer Service Department for additional information.

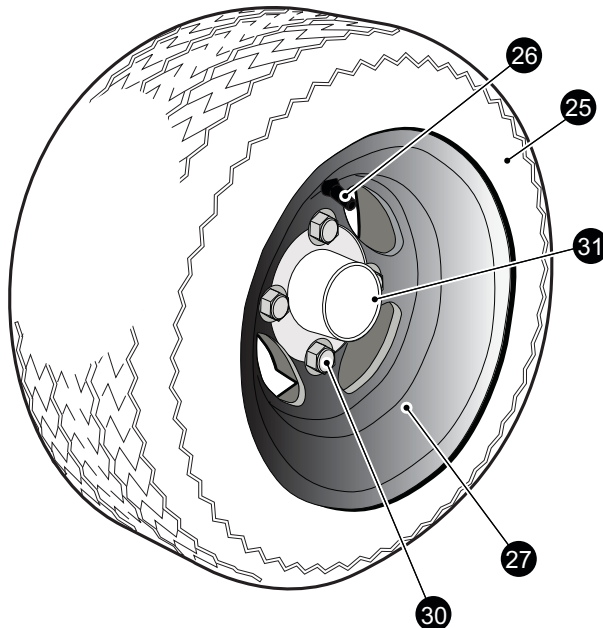
ITEM	PART NO.	1 2 3 4 5	DESCRIPTION	QTY.
1	606584		SPLIT WINDSHIELD KIT (includes items 2 - 11).....	1
2	606623		SPLIT WINDSHIELD ASSEMBLY (includes items 3 - 5).....	1
3	603738		SPLIT WINDSHIELD.....	1
4	603201		LOWER WINDSHIELD LATCH.....	2
5	603198		UPPER WINDSHIELD LATCH.....	2
6	604115		WINDSHIELD ISOLATOR.....	2
7				
8	603852		WINDSHIELD ATTACHMENT SASH.....	2
9	607014		SPLIT WINDSHIELD HARDWARE KIT (includes items 10 & 11).....	1
10	604116		GROMMET.....	2
11	602527		TORX BOLT, BHD, M10 - 1.5 X 60.....	2
12	600525		LOCK NUT, M10 - 1.5.....	2

# WHEELS AND TIRES

- 1 LINKS STONE BEIGE WHEEL & TIRE ASSEMBLY (includes items 9, 10 & 13)
- 2 LINKS WHITE WHEEL & TIRE ASSEMBLY (includes items 9, 11 & 13)
- 5 USA STONE BEIGE WHEEL& TIRE ASSEMBLY (includes items 9, 10 & 15)
- 6 USA WHITE WHEEL& TIRE ASSEMBLY (includes items 9, 11 & 15)



- 24 ALLOY WHEEL AND TIRE ASSEMBLY (includes items 25 - 27)





# WHEELS AND TIRES

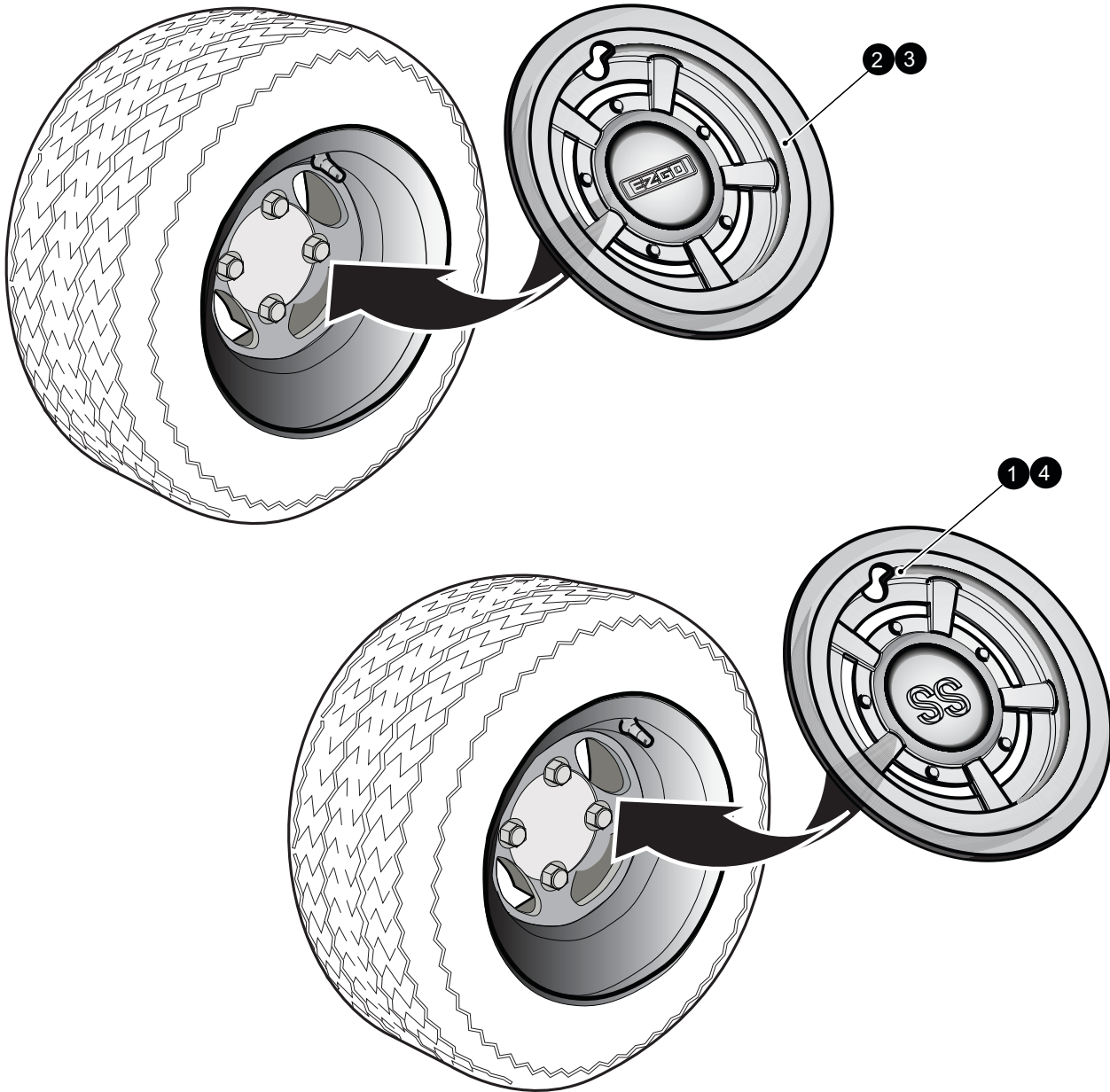
When ordering parts, please specify the model and serial number of the product.

\* Indicates a component that is not available as an individual part.

\*\*\* Indicates consult Customer Service Department for additional information.

ITEM	PART NO.	1 2 3 4 5	DESCRIPTION	QTY.
1	603173		LINKS STONE BEIGE WHEEL & TIRE ASSEMBLY (includes items 9, 10 & 13)	1
2	28757G01		LINKS WHITE WHEEL & TIRE ASSEMBLY (includes items 9, 11 & 13) .....	1
3				
4				
5	603216		USA STONE BEIGE WHEEL& TIRE ASSEMBLY (includes items 9, 10 & 15)	1
6	28842G01		USA WHITE WHEEL& TIRE ASSEMBLY (includes items 9, 11 & 15) .....	1
7				
8				
9	11657G2		VALVE STEM.....	1
10	603172		STONE BEIGE WHEEL.....	1
11	28759G01		WHITE WHEEL .....	1
12				
13	28764G01		CARLISLE LINKS TIRE, 18 X 8.5 - 8.....	1
14				
15	28764-G08		CARLISLE USA TRAIL TIRE 18.5 X 8.5 - 8.....	1
16				
17				
18				
19	607096		HUB CAP, SILVER .....	4
20	14723-G1		LUG NUT, 1/2 - 20 UNF .....	4
21	74175-G01		DUST CAP .....	1
22	603785		HUB CAP, GOLD .....	4
23				
24	600599		ALLOY WHEEL AND TIRE ASSEMBLY (includes items 25 - 27) .....	1
25	601768		TOUR MAX TIRE, 205 / 50 - 10 .....	1
26	601767		VALVE STEM.....	1
27	601766		ITP ALLOY WHEEL.....	1
28				
29				
30	605310		CHROME LUG NUT, 1/20-020 UNF .....	4
31	601353		ALLOY WHEEL CAP .....	1

# WHEELS AND TIRES



# WHEELS AND TIRES

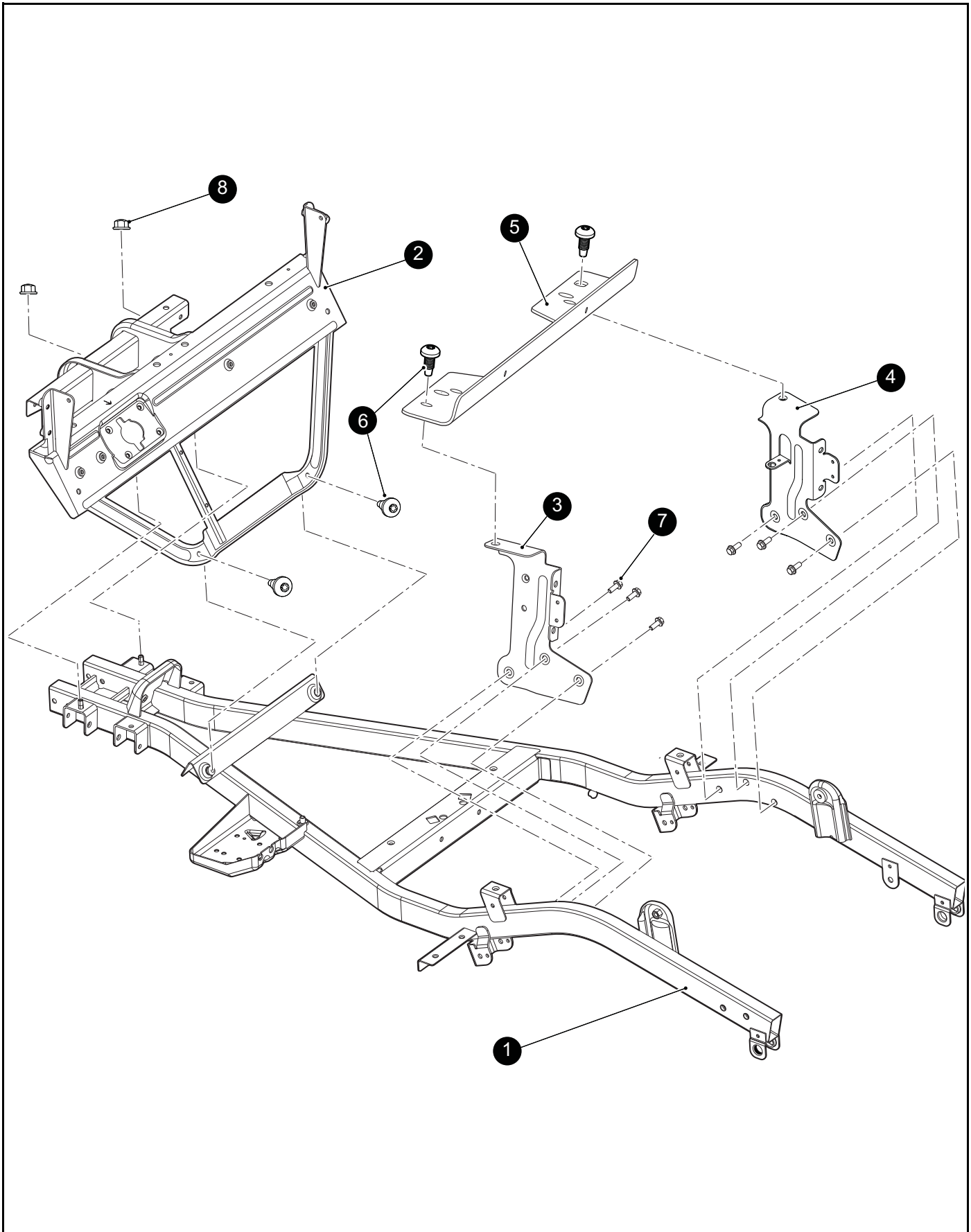
When ordering parts, please specify the model and serial number of the product.

\* Indicates a component that is not available as an individual part.

\*\*\* Indicates consult Customer Service Department for additional information.

ITEM	PART NO.	1 2 3 4 5	DESCRIPTION	QTY.
1	620942		WHEEL COVER, CHROME SS, 8" .....	4
2	620943		WHEEL COVER, CHROME E-Z-GO, 8" .....	4
3	620944		WHEEL COVER, CHROME SILVER E-Z-GO, 8" .....	4
4	620945		WHEEL COVER, CHROME SILVER SS, 8" .....	4

# FRAME



When ordering parts, please specify the model and serial number of the product.

\* Indicates a component that is not available as an individual part.

\*\*\* Indicates consult Customer Service Department for additional information.

ITEM	PART NO.	1 2 3 4 5	DESCRIPTION	QTY.
1	612527		FRAME WELDMENT .....	1
2	614597		IP SUPPORT WELDMENT .....	1
3	600218		SEAT SUPPORT DRIVER SIDE BRACKET .....	1
4	613187		SEAT SUPPORT PASSENGER SIDE BRACKET .....	1
5	601275		SEAT SUPPORT, BRACE.....	1
6	602572		PAN HEAD TORX BOLT, M10 - 1.5 X 25.....	4
7	603799		HEX HEAD FLANGED BOLT , M10 - 1.5 X 23.....	6
8	600525		FLANGED HEX NUT, M10 -1.5.....	2







A Textron Company

**E-Z-GO Division of Textron Inc.,**  
1451 Marvin Griffin Road, Augusta, Georgia 30906 - 3852 USA

TO CONTACT US...

North America:

**Technical Assistance & Warranty  
Service Parts**

Phone: 1-800-774-3946, FAX: 1-800-448-8124

Phone: 1-888-GET-E-Z-GO (1-888-438-3946), FAX: 1-800-752-6175

International:

Phone: 001-706-798-4311, FAX: 001-706-771-4609

ISO 9001  
ISO 14001

**BUREAU VERITAS**  
Certification



Copyrighted Material  
This manual may not be reproduced in whole or  
in part without the express permission of  
E-Z-GO Division of Textron, Inc.  
Technical Communications Department